



Whirlpool[®]

duet[®]

ELECTRONIC ELECTRIC DRYER

Use & Care Guide

For assistance call **1-800-461-5681**,
for installation and service, call: **1-800-807-6777**
or visit our website at... www.whirlpool.com/canada

SÉCHEUSE ÉLECTRIQUE ÉLECTRONIQUE

Guide d'utilisation et d'entretien

Pour assistance, composez le **1-800-461-5681**,
pour installation ou service **1-800-807-6777**
ou visitez notre site web à www.whirlpool.com/canada

Table of Contents/Table des matières 2

TABLE OF CONTENTS

DRYER SAFETY	3
INSTALLATION INSTRUCTIONS	4
Tools and Parts.....	4
Options.....	4
Location Requirements.....	5
Electrical Requirements.....	6
Venting Requirements.....	7
Plan Vent System.....	7
Install Vent System.....	9
Install Leveling Legs.....	9
Level Dryer.....	10
Connect Vent.....	10
Complete Installation.....	10
DRYER USE	11
Starting Your Dryer.....	11
Stopping Your Dryer.....	12
Pausing or Restarting.....	12
Control Locked.....	12
Loading.....	12
Drying and Cycle Tips.....	12
Status Lights.....	13
Cycles.....	13
Additional Features.....	14
Drying Rack.....	15
DRYER CARE	16
Cleaning the Dryer Location.....	16
Cleaning the Lint Screen.....	16
Cleaning the Dryer Interior.....	16
Removing Accumulated Lint.....	17
Vacation and Moving Care.....	17
Changing the Drum Light.....	17
TROUBLESHOOTING	17
ASSISTANCE OR SERVICE	18
WARRANTY	19

TABLE DES MATIÈRES

SÉCURITÉ DE LA SÈCHEUSE	21
INSTRUCTIONS D'INSTALLATION	22
Outillage et pièces nécessaires.....	22
Options.....	22
Emplacement d'installation.....	23
Spécifications électriques.....	24
Exigences concernant l'évacuation.....	25
Planification du système d'évacuation.....	26
Installation du conduit d'évacuation.....	27
Installation des pieds de nivellement.....	28
Mise à niveau de la sècheuse.....	28
Conduit d'évacuation.....	28
Achever l'installation.....	28
UTILISATION DE LA SÈCHEUSE	29
Mise en marche de la sècheuse.....	29
Arrêt de la sècheuse.....	30
Arrêt ou remise en marche.....	30
Verrouillage des commandes.....	30
Chargement.....	30
Conseils pour le séchage et les programmes.....	31
Témoins lumineux.....	31
Programmes.....	32
Caractéristiques supplémentaires.....	33
Grille de séchage.....	34
ENTRETIEN DE LA SÈCHEUSE	35
Nettoyage de l'emplacement de la sècheuse.....	35
Nettoyage du filtre à charpie.....	35
Nettoyage de l'intérieur de la sècheuse.....	36
Retrait de la charpie accumulée.....	36
Précautions à prendre pour les vacances et avant un déménagement.....	36
Changement de l'ampoule d'éclairage du tambour.....	36
DÉPANNAGE	37
ASSISTANCE OU SERVICE	38
GARANTIE	39



DRYER SAFETY

Your safety and the safety of others are very important.

We have provided many important safety messages in this manual and on your appliance. Always read and obey all safety messages.



This is the safety alert symbol.

This symbol alerts you to potential hazards that can kill or hurt you and others.

All safety messages will follow the safety alert symbol and either the word “DANGER” or “WARNING.”

These words mean:

⚠ DANGER

You can be killed or seriously injured if you don't immediately follow instructions.

⚠ WARNING

You can be killed or seriously injured if you don't follow instructions.

All safety messages will tell you what the potential hazard is, tell you how to reduce the chance of injury, and tell you what can happen if the instructions are not followed.

IMPORTANT SAFETY INSTRUCTIONS

WARNING: To reduce the risk of fire, electric shock, or injury to persons when using the dryer, follow basic precautions, including the following:

- Read all instructions before using the dryer.
- Do not place items exposed to cooking oils in your dryer. Items contaminated with cooking oils may contribute to a chemical reaction that could cause a load to catch fire.
- Do not dry articles that have been previously cleaned in, washed in, soaked in, or spotted with gasoline, dry-cleaning solvents, other flammable, or explosive substances as they give off vapors that could ignite or explode.
- Do not allow children to play on or in the dryer. Close supervision of children is necessary when the dryer is used near children.
- Before the dryer is removed from service or discarded, remove the door to the drying compartment.
- Do not reach into the dryer if the drum is moving.
- Do not install or store the dryer where it will be exposed to the weather.
- Do not tamper with controls.
- Do not repair or replace any part of the dryer or attempt any servicing unless specifically recommended in this Use and Care Guide or in published user-repair instructions that you understand and have the skills to carry out.
- Do not use fabric softeners or products to eliminate static unless recommended by the manufacturer of the fabric softener or product.
- Do not use heat to dry articles containing foam rubber or similarly textured rubber-like materials.
- Clean lint screen before or after each load.
- Keep area around the exhaust opening and adjacent surrounding areas free from the accumulation of lint, dust, and dirt.
- The interior of the dryer and exhaust vent should be cleaned periodically by qualified service personnel.
- See installation instructions for grounding requirements.

SAVE THESE INSTRUCTIONS

INSTALLATION INSTRUCTIONS

Tools and Parts

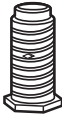
Check that you have everything necessary for correct installation. Proper installation is your responsibility.

- Flat-blade screwdriver
- Adjustable wrench that opens to 1" (2.5 cm) or hex-head socket wrench (for adjusting dryer feet)
- Level
- #2 Phillips screwdriver
- Safety glasses
- Vent clamps
- Caulking gun and compound (for installing new exhaust vent)
- Gloves
- Tin snips (new vent installations)

Parts supplied

Remove parts packages from dryer drum. Check that all parts are included.

- Parts package



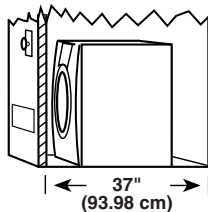
4 Leveling legs

NOTE: Do not use leveling legs if installing the dryer on a pedestal.

Parts needed

Check local codes. Check existing electrical supply and venting. See "Electrical Requirements" and "Venting Requirements" before purchasing parts.

- For close-clearance installations between 31.5" (80.01 cm) and 37" (93.98 cm), see "Plan Vent System" section for venting requirements.

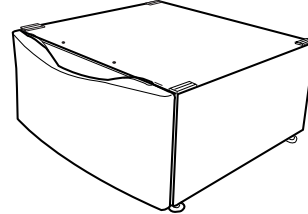


Mobile home installations require metal exhaust system hardware available for purchase from the dealer from whom you purchased your dryer. For further information, please refer to the "Assistance or Service" section of this manual.

Options

Pedestal

Are you placing the dryer on a pedestal? You may purchase a pedestal separately for this dryer. This pedestal will add about 13" (33 cm) to the height of your unit for a total height of approximately 51" (130 cm).



Optional pedestal

To order, call the dealer from whom you purchased your dryer or refer to the "Assistance or Service" section of this manual. Ask for Part Number LAB2700MQ (White), LAB2700MT (Biscuit) or LAB2700ML (Pewter).

Stack Kit

Are you planning to stack your DUET® washer and dryer? To do so, you will need to purchase a Stack Kit.

To order, call the dealer from whom you purchased your dryer or refer to the "Assistance or Service" section of this manual. Ask for Part Number 8541503.

Door Reversal Kit

Are you planning to reverse the door swing direction on your DUET® dryer? To do so, you will need to purchase a Door Reversal Kit.

To order, call the dealer from whom you purchased your dryer or refer to the "Assistance or Service" section of this manual. Ask for Part Number 8530069 (Shield Blue), 8530070 (Shield Platinum), 8530071 (Biscuit) or 8530072 (Pewter).

Door Reversal and Stack Combination Kit

Are you planning to reverse the door swing direction on your DUET® dryer and stack your DUET® washer and dryer? To do so, you can purchase a Door Reversal and Stack Combination Kit.

To order, call the dealer from whom you purchased your dryer or refer to the "Assistance and Service" section of this manual. Ask for Part Number 8530073 (Shield Blue), 8530074 (Shield Platinum), 8530075 (Biscuit) or 8530076 (Pewter).

Backguard

If you are installing your DUET® washer and dryer and wish to avoid having loose items fall behind your machines, you may purchase a pair of washer/dryer backguards. These will reduce the chance of items falling behind the machines during operation.

To order, call the dealer from whom you purchased your dryer or refer to the "Assistance or Service" section of this manual. Ask for Part Number 8558694 (White), 8558695 (Biscuit) or 8558696 (Pewter).

Location Requirements

⚠ WARNING



Explosion Hazard

Keep flammable materials and vapors, such as gasoline, away from dryer.

Place dryer at least 18 inches (46 cm) above the floor for a garage installation.

Failure to do so can result in death, explosion, or fire.

You will need

- A location that allows for proper exhaust installation. See “Venting Requirements.”
- A separate 30 amp circuit.
- A grounded electrical outlet located within 2 ft (61 cm) of either side of the dryer. See “Electrical Requirements.”
- A sturdy floor to support the total dryer weight of 200 lbs (90.7 kg). The combined weight of a companion appliance should also be considered.
- A level floor with a maximum slope of 1" (2.5 cm) under entire dryer. If slope is greater than 1" (2.5 cm), install Extended Dryer Feet Kit, Part No. 279810. Clothes may not tumble properly and automatic sensor cycles may not operate correctly if dryer is not level.
- For a garage installation, you will need to place the dryer at least 18" (46 cm) above the floor. If using a pedestal, you will need an additional 6" (15.24 cm).

Do not operate your dryer at temperatures below 45°F (7°C). At lower temperatures, the dryer might not shut off at the end of an automatic cycle. This can result in longer drying times.

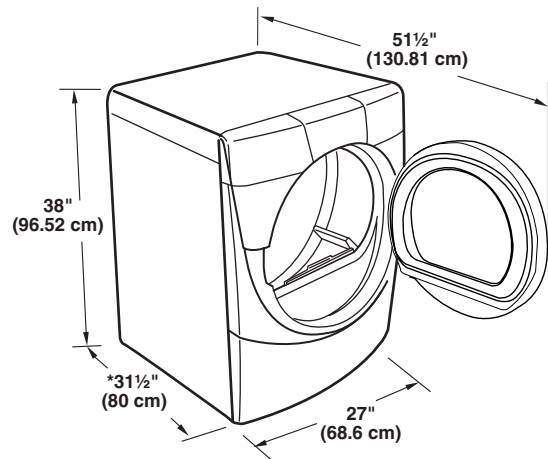
The dryer must not be installed or stored in an area where it will be exposed to water and/or weather.

Check code requirements. Some codes limit, or do not permit, installation of the dryer in garages, closets, mobile homes, or sleeping quarters. Contact your local building inspector.

Installation clearances

- The location must be large enough to fully open the dryer door.
- Additional spacing should be considered for ease of installation and servicing.
- Additional clearances might be required for wall, door and floor moldings.
- Additional spacing of 1" (2.5 cm) on all sides of the dryer is recommended to reduce noise transfer.
- Companion appliance spacing should also be considered.

Dryer Dimensions

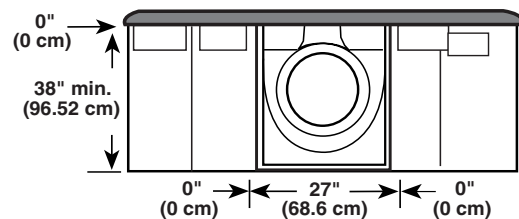


*Most installations require a minimum 5½" (14 cm) clearance behind the dryer for the exhaust vent with elbow. See “Venting Requirements.”

Minimum installation spacing for custom undercounter installation

The dimensions shown are for the minimum spacing allowed.

Custom undercounter installation - Dryer only

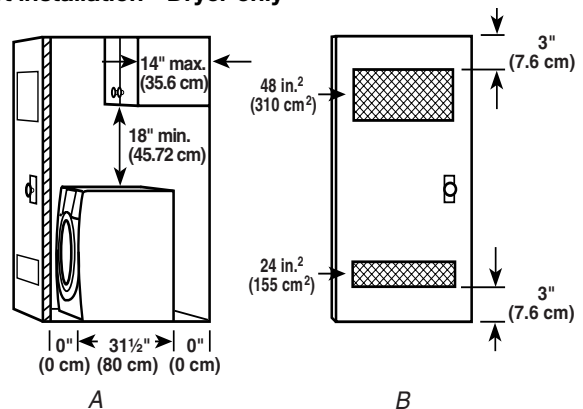


Minimum installation spacing for recessed or closet installation, with or without a pedestal

- The dimensions shown are for the minimum spacing allowed.

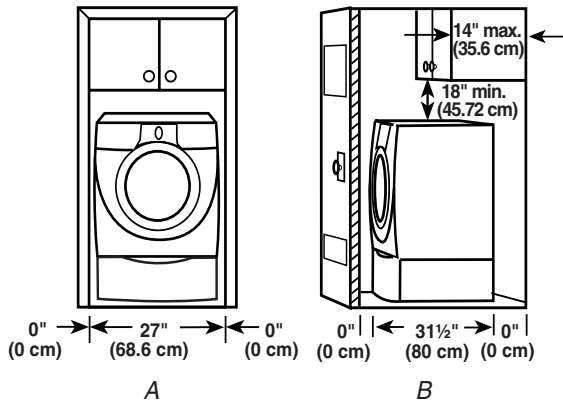
For closet installation, with a door, minimum ventilation openings in the top and bottom of the door are required. Louvered doors with equivalent ventilation openings are acceptable.

Closet installation - Dryer only



A. Side view - closet or confined area
B. Closet door with vents

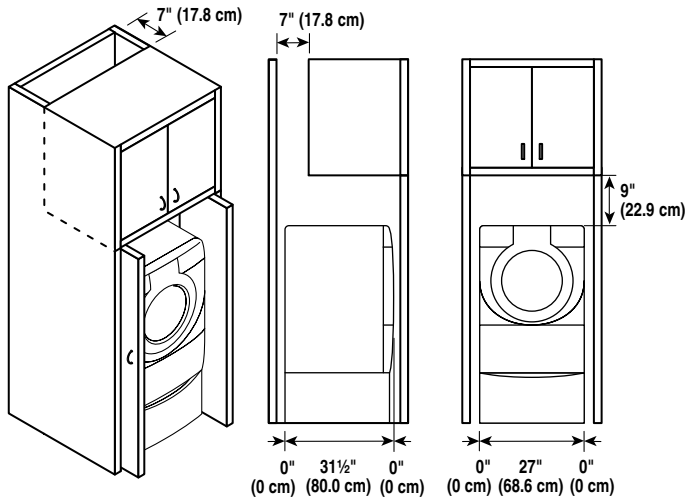
Recessed or closet installation - Dryer on pedestal



A. Recessed area
B. Side view - closet or confined area

Minimum installation spacing for cabinet installation

- The dimensions shown are for the minimum spacing allowed.
- For cabinet installation, with a door, minimum ventilation openings in the top of the cabinet are required.



Mobile home - Additional installation requirements

This dryer is suitable for mobile home installations. The installation must conform to the Manufactured Home Construction and Safety Standard CAN/CSA-Z240 MH.

Mobile home installations require:

- Metal exhaust system hardware which is available for purchase from your dealer.
- Special provisions must be made in mobile homes to introduce outside air into the dryer. The opening (such as a nearby window) should be at least twice as large as the dryer exhaust opening.

Electrical Requirements

⚠ WARNING



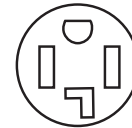
Electrical Shock Hazard

Plug into a grounded 4 prong outlet.

Failure to do so can result in death or electrical shock.

It is your responsibility

- To contact a qualified electrical installer.
- To be sure that the electrical connection is adequate and in conformance with the Canadian Electrical Code, C22.1-latest edition and all local codes. A copy of the above codes standard may be obtained from: Canadian Standards Association, 178 Rexdale Blvd., Toronto, ON M9W 1R3 CANADA.
- To supply the required 4 wire, single phase, 115/230-volt, 60-Hz., AC-only electrical supply on a separate 30-amp circuit, fused on both sides of the line. A time-delay fuse or circuit breaker is recommended. Connect to an individual branch circuit.
- This dryer is equipped with a CSA International Certified Power Cord intended to be plugged into a standard 14-30R wall receptacle. The cord is 5 ft (1.52 m) in length. Be sure wall receptacle is within reach of dryer's final location.



4-wire receptacle 14-30R

If using a replacement power supply cord, it is recommended that you use Power Supply Cord Replacement Part Number 9831317. For further information, please reference the service numbers located in the "Assistance or Service" section of this manual.

GROUNDING INSTRUCTIONS

- For a grounded, cord-connected dryer: This dryer must be grounded. In the event of malfunction or breakdown, grounding will reduce the risk of electric shock by providing a path of least resistance for electric current. This dryer is equipped with a cord having an equipment-grounding conductor and a grounding plug. The plug must be plugged into an appropriate outlet that is properly installed and grounded in accordance with all local codes and ordinances.

WARNING: Improper connection of the equipment-grounding conductor can result in a risk of electric shock. Check with a qualified electrician or service representative or personnel if you are in doubt as to whether the dryer is properly grounded. Do not modify the plug provided with the dryer: if it will not fit the outlet, have a proper outlet installed by a qualified electrician.

SAVE THESE INSTRUCTIONS

Venting Requirements

WARNING



Fire Hazard

- Use a heavy metal vent.
- Do not use a plastic vent.
- Do not use a metal foil vent.
- Failure to follow these instructions can result in death or fire.

WARNING: To reduce the risk of fire, this dryer MUST BE EXHAUSTED OUTDOORS.

4" (10.2 cm) heavy metal exhaust vent and clamps must be used. DURASAFE™ vent products are recommended.

DURASAFE™ vent products can be purchased from your dealer or by calling Whirlpool Parts and Accessories. For more information, see the "Assistance or Service" section of this manual.

- The dryer exhaust must not be connected into any gas vent, chimney, wall, ceiling, or a concealed space of a building.
- Do not use an exhaust hood with a magnetic latch.

- Do not install flexible metal vent in enclosed walls, ceilings or floors.
- Use clamps to seal all joints. Exhaust vent must not be connected or secured with screws or other fastening devices which extend into the interior of the duct. Do not use duct tape.

IMPORTANT: Observe all governing codes and ordinances.

Improper venting can cause moisture and lint to collect indoors, which may result in:

- Moisture damage to woodwork, furniture, paint, wallpaper, carpets, etc.
- Housecleaning problems and health problems.

Use a heavy metal vent. Do not use plastic or metal foil vent. Rigid metal vent is recommended to prevent crushing and kinking.

Flexible metal vent must be fully extended and supported when the dryer is in its final position. Remove excess flexible metal vent to avoid sagging and kinking that can result in reduced airflow and poor performance.

An exhaust hood should cap the vent to prevent rodents and insects from entering the home.

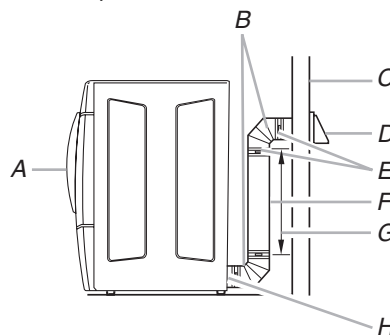
Exhaust hood must be at least 12" (30.5 cm) from the ground or any object that is in the path of the exhaust (such as flowers, rocks or bushes, etc.).

If using an existing vent system, clean lint from the entire length of the system and make sure exhaust hood is not plugged with lint. Replace any plastic or metal foil vent with rigid metal or flexible metal vent.

Plan Vent System

Typical exhaust installations

Typical installations vent the dryer from the rear of the dryer. Other installations are possible.




- A. Dryer
- B. Elbow
- C. Wall
- D. Exhaust hood
- E. Clamps
- F. Rigid metal or flexible metal vent
- G. Vent length necessary to connect elbows
- H. Exhaust outlet

Optional exhaust installations

This dryer can be converted to exhaust out the right side, left side, or through the bottom. Contact your local dealer to have the dryer converted.

⚠ WARNING



Fire Hazard

Cover unused exhaust holes with one of the following kits:

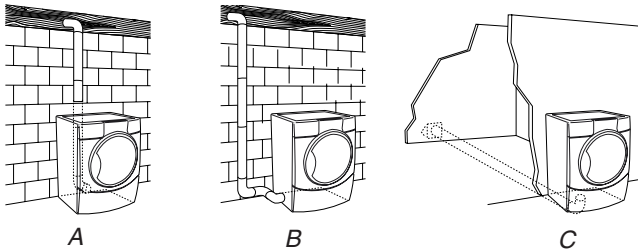
279818 (white)

279925 (biscuit)

279969 (pewter)

Contact your local dealer.

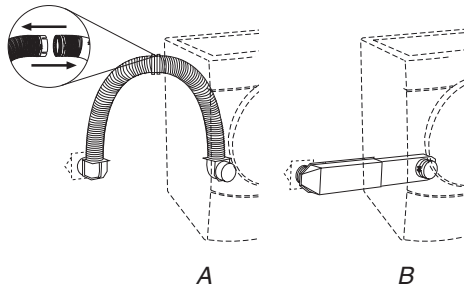
Failure to follow these instructions can result in death, fire, electrical shock, or serious injury.



A. Standard rear offset exhaust installation
 B. Left or right side exhaust installation
 C. Bottom exhaust installation (Not an option with pedestal installations.)

Alternate installations for close clearances

Venting systems come in many varieties. Select the type best for your installation. Two close-clearance installations are shown. Refer to the manufacturer's instructions.



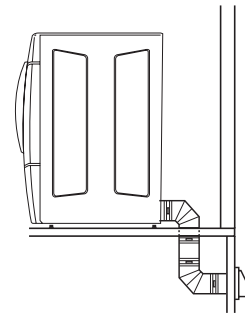
A. Over the top installation (also available with one offset elbow)
 B. Periscope installation

NOTE: The following kits for close clearance alternate installations are available for purchase. Please see the "Assistance or Service" section of this manual to order.

- Over the top Installation:
Part Number 4396028
- Periscope Installation (For use with dryer vent to wall vent mismatch):
Part Number 4396037 - 0" (0 cm) to 18" (45.72 cm) mismatch
Part Number 4396011 - 18" (45.72 cm) to 29" (73.66 cm) mismatch
Part Number 4396014 - 29" (73.66 cm) to 50" (127 cm) mismatch

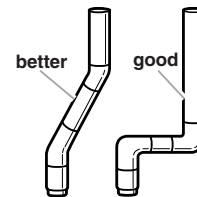
Special provisions for mobile home installations

The exhaust vent must be securely fastened to a noncombustible portion of the mobile home structure and must not terminate beneath the mobile home. Terminate the exhaust vent outside.



Determine Vent Length

1. Select the route that will provide the straightest and most direct path outdoors. Plan the installation to use the fewest number of elbows and turns. When using elbows or making turns, allow as much room as possible. Bend vent gradually to avoid kinking. Avoid 90° turns.

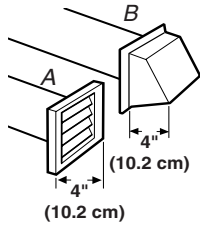


2. Determine vent length.

The maximum length of the exhaust system depends upon:

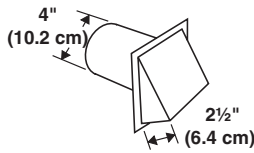
- The type of vent (rigid metal or flexible metal).
- The number of elbows used.
- Type of hood.

Recommended hood styles are shown here.



A. Louvered hood style
B. Box hood style

The angled hood style (shown following) is acceptable.



See the exhaust vent length chart that matches your hood type for the maximum vent lengths you can use.

Exhaust systems longer than specified will:

- Shorten the life of the dryer.
- Reduce performance, resulting in longer drying times and increased energy usage.

3. Determine the number of elbows you will need.

IMPORTANT: Do not use vent runs longer than those specified in the Vent Length Chart.

The following chart helps you determine your maximum vent length based on the number of 90° turns or elbows you will need and the type of vent (rigid or flexible metal) and hood that you will use.

Vent Length Chart

Number of 90° turns or elbows	Type of vent	Box or Louvered hoods	Angled hoods
0	Rigid metal	64 ft (20 m)	58 ft (17.7 m)
	Flexible metal	36 ft (11 m)	28 ft (8.5 m)
1	Rigid metal	54 ft (16.5 m)	48 ft (14.6 m)
	Flexible metal	31 ft (9.4 m)	23 ft (7 m)
2	Rigid metal	44 ft (13.4 m)	38 ft (11.6 m)
	Flexible metal	27 ft (8.2 m)	19 ft (5.8 m)
3	Rigid metal	35 ft (10.7 m)	29 ft (8.8 m)
	Flexible metal	25 ft (7.6 m)	17 ft (5.2 m)
4	Rigid metal	27 ft (8.2 m)	21 ft (6.4 m)
	Flexible metal	23 ft (7 m)	15 ft (4.6 m)

NOTE: Side and bottom exhaust installations have a 90° turn inside the dryer. To determine maximum exhaust length, add one 90° turn to the chart.

Install Vent System

1. (Optional) Put on safety glasses and gloves.
2. Install exhaust hood. Use caulking compound to seal exterior wall opening around exhaust hood.
3. Connect vent to exhaust hood. Vent must fit inside exhaust hood. Secure vent to exhaust hood with 4" (10.2 cm) clamp.
4. Run vent to dryer location. Use the straightest path possible. See "Determine Vent Length." Avoid 90° turns. Use clamps to seal all joints. Do not use duct tape, screws or other fastening devices that extend into the interior of the vent to secure vent.

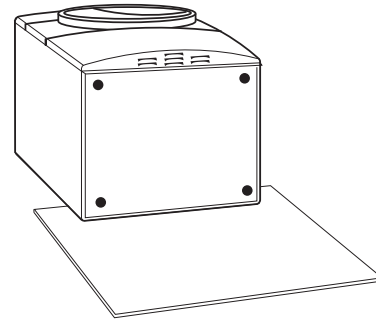
Install Leveling Legs

WARNING

Excessive Weight Hazard

Use two or more people to move and install dryer. Failure to do so can result in back or other injury.

1. To protect the floor, use a large flat piece of cardboard from the dryer carton. Place cardboard under the entire back edge of the dryer. See illustration.
2. Firmly grasp the body of the dryer (not the console panel). Gently lay the dryer on the cardboard.



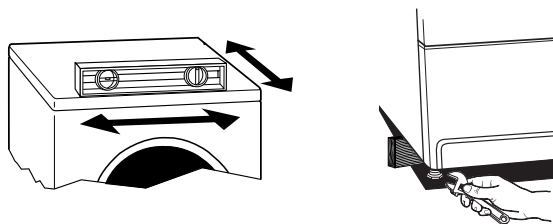
3. Examine the leveling legs. Find the diamond marking.



4. Screw the legs into the leg holes by hand. Use a wrench to finish turning the legs until the diamond marking is no longer visible.
5. Place a carton corner post under each of the 2 dryer back corners. Stand the dryer up. Slide the dryer on the corner posts until it is close to its final location. Leave enough room to connect the exhaust vent.
6. Once connection is made and dryer is in final location, remove corner posts and cardboard.

Level Dryer

Check the levelness of the dryer. Check levelness first side to side, then front to back.



If the dryer is not level, prop up the dryer using a wood block. Use a wrench to adjust the legs up or down and check again for levelness.

NOTE: It might be necessary to level the dryer again after it has been moved into its final position.

Connect Vent

1. Using a 4" (10.2 cm) clamp, connect vent to exhaust outlet in dryer. If connecting to existing vent, make sure the vent is clean. The dryer vent must fit over the dryer exhaust outlet and inside the exhaust hood. Make sure the vent is secured to exhaust hood with a 4" (10.2 cm) clamp.
2. Move dryer into final position. Do not crush or kink vent. Make sure dryer is level.
3. (On gas models) Check to be sure there are no kinks in the flexible gas line.

Complete Installation

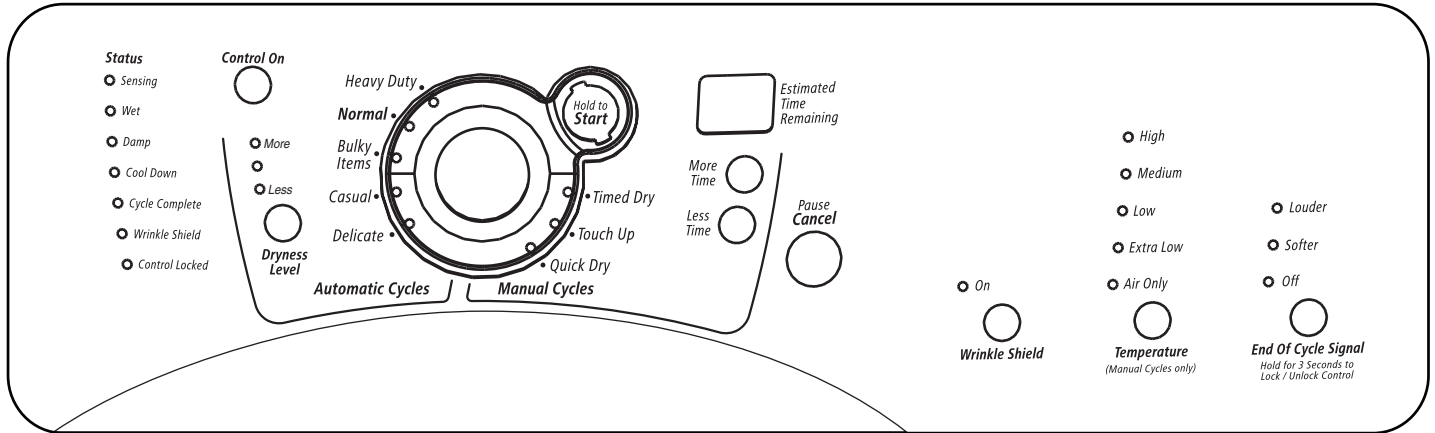
1. Check to be sure all parts are now installed. If there is an extra part, go back through the steps to see which step was skipped.
2. Check to be sure you have all of your tools.
3. Dispose of all packaging materials.
4. Check the dryer's final location. Be sure the vent is not crushed or kinked.
5. Check to be sure the dryer is level. See "Level Dryer."
6. Plug into a grounded outlet. Turn power on.
7. Remove the blue protective film on the console and any tape remaining on the dryer.
8. Read "Dryer Use."
9. Wipe the dryer drum interior thoroughly with a damp cloth to remove any dust.
10. Set the dryer on a full heat cycle (not an air cycle) for 20 minutes and start the dryer.

If the dryer will not start, check the following:

- Controls are set in a running or "On" position.
 - Start button has been pushed firmly.
 - Dryer is plugged into a grounded outlet.
 - Electrical supply is connected.
 - House fuse is intact and tight, or circuit breaker has not tripped.
 - Dryer door is closed.
11. When the dryer has been running for 5 minutes, open the dryer door and feel for heat.
- If you do not feel heat, turn the dryer off and check the following:**
- There may be 2 fuses or circuit breakers for the dryer. Check to make sure both fuses are intact and tight, or that both circuit breakers have not tripped. If there is still no heat, contact a qualified technician.

NOTE: You may notice a burning odor when the dryer is first heated. This odor is common when the heating element is first used. The odor will go away.

DRYER USE



Starting Your Dryer

! WARNING



Explosion Hazard

Keep flammable materials and vapors, such as gasoline, away from dryer.

Do not dry anything that has ever had anything flammable on it (even after washing).

Failure to follow these instructions can result in death, explosion, or fire.

! WARNING



Fire Hazard

No washer can completely remove oil.

Do not dry anything that has ever had any type of oil on it (including cooking oils).

Items containing foam, rubber, or plastic must be dried on a clothesline or by using an Air Cycle.

Failure to follow these instructions can result in death or fire.

WARNING: To reduce the risk of fire, electric shock, or injury to persons, read the IMPORTANT SAFETY INSTRUCTIONS before operating this appliance.

The following is a guide to starting your dryer. Please refer to specific sections of this manual for more detailed information.

1. Clean lint screen before or after each cycle. See "Cleaning the Lint Screen."
2. Place laundry into dryer and shut door. See "Loading."
3. Rotate the dial to select either an Automatic or Manual Cycle then press the CONTROL ON button. The preset settings and drying time for the cycle chosen will be displayed.

To use an Automatic Cycle

- Point the dial to an Automatic Cycle.
- Select DRYNESS LEVEL to adjust how dry you want the load to be. The time displayed is an estimated length of the cycle based on the Dryness Level selected. As the cycle runs, the control senses the dryness of the load and adjusts the time automatically for the selected Dryness Level.

○ More



○ Less



Dryness Level

NOTE: Time is not adjustable for Automatic Cycles. Pressing the More Time or Less Time buttons will cause a triple beep, indicating that the time cannot be changed.

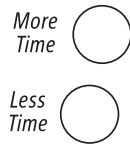
- Press the WRINKLE SHIELD™ feature button if this option is desired.
- Press the END OF CYCLE SIGNAL button to set signal volume to desired level.
- Press (and hold) HOLD TO START button until dryer starts (about 1 second).

Once an Automatic cycle has started, the WRINKLE SHIELD™ feature and cycle signals can be adjusted. Press the PAUSE/CANCEL key twice to stop the dryer and clear the settings, allowing you to select another cycle and Dryness Level.

To use a Manual Cycle

- Rotate the dial to select a Manual Cycle.

Press MORE TIME or LESS TIME until the desired drying time is displayed. Tap MORE TIME or LESS TIME and the time will change by 1-minute intervals. Press and hold MORE TIME or LESS TIME and the time will change by 5-minute intervals. The initial time displayed is the actual drying time.



NOTE: The More Time or Less Time feature can be used only with Manual Cycles.

- Press TEMPERATURE until the desired temperature glows.

NOTE: Pressing the Dryness Level button will cause the triple beep indicating that this option is not selectable. Also, a Dryness Level is not indicated.

- Press the WRINKLE SHIELD™ feature button if this option is desired.
- Press the END OF CYCLE SIGNAL button to set volume to desired level.
- Press (and hold) HOLD TO START button until dryer starts (about 1 second).

While a Manual Cycle is running, you can change the settings for Time, Temperature, the WRINKLE SHIELD™ feature, and the cycle signals. Press the PAUSE/CANCEL key twice to stop the dryer and clear the settings, allowing you to select another cycle.

Stopping Your Dryer

To stop your dryer at any time

Press PAUSE/CANCEL twice or open the door.

Pausing or Restarting

To pause the dryer at any time

Open the door or press PAUSE/CANCEL once.

To restart the dryer

Close the door and press (and hold) HOLD TO START button until dryer starts.

NOTE: Drying will continue from where the cycle was interrupted, if you close the door and press Start within 5 minutes. If the cycle is interrupted for more than 5 minutes, the dryer will shut off. Select new cycle settings before restarting the dryer.

Control Locked

This feature allows you to lock your settings to prevent unintended use of the dryer. You can also use the Control Locked feature to prevent unintended cycle or option changes during dryer operation.

To enable the Control Locked feature when dryer is running:

Press and hold the END OF CYCLE SIGNAL button for 3 seconds. The control is locked when a single beep is heard and the Control Locked status light is on.

- When the dryer is off, it is not necessary to press the Control On button before activating the Control Locked feature.

To unlock:

Press and hold the END OF CYCLE SIGNAL button for 3 seconds to turn this feature off.

NOTE: When the dryer is running and Control Locked is on, the dryer can be stopped by pressing the Pause/Cancel button, but can't be restarted until the control is unlocked.

Loading

Properly loading your dryer can lower your utility bill and prolong the life of your garments.

Loading suggestions

- Load the dryer by the amount of space items take up, not by their weight.
- Do not overload the dryer. This causes wrinkling and uneven drying.

Super Capacity Plus Dryers

Heavy Work Clothes

4 jeans	2 sweatpants
4 workpants	2 sweatshirts
4 workshirts	

Towels

10 bath towels	14 washcloths
10 hand towels	

Mixed Load

3 sheets (1 king, 2 twin)	9 T-shirts
4 pillowcases	9 shorts
3 shirts	10 handkerchiefs
3 blouses	

Drying and Cycle Tips

Select the correct cycle and dryness level or temperature for your load. If an Automatic Cycle is running, the display shows the estimated cycle time when your dryer is automatically sensing the dryness level of your load. If a Manual Cycle is running, the display shows the exact number of minutes remaining in the cycle.

Cool Down tumbles the load without heat during the last few minutes of all cycles. Cool Down makes the loads easier to handle and reduces wrinkling. The length of the Cool Down depends on the load size and dryness level.

Drying tips

- Follow care label directions when they are available.
- If desired, add a fabric softener sheet. Follow package instructions.
- Remove the load from the dryer as soon as tumbling stops to reduce wrinkling. This is especially important for permanent press, knits, and synthetic fabrics.
- Avoid drying heavy work clothes with lighter fabrics. This could cause overdrying of lighter fabrics, leading to increased shrinkage or wrinkling.
- If you dry sheets in a mixed load or large items in the Bulky Items cycle, rearrange the load halfway through the dryer cycle. This will aid in the drying process.

Cycle tips

- Dry most loads using the preset cycle settings.
- Refer to the Automatic or Manual Preset Cycle Settings chart (in the “Cycles” section) for a guide to drying various loads.
 - Drying temperature and Dryness Level are preset when you choose an Automatic Cycle. You can choose a different dryness level, depending on your load by pressing the DRYNESS LEVEL button to select MORE or LESS.
 - If you wish to adjust the cycle length of a Manual Cycle, you must press MORE TIME or LESS TIME. Adjust the temperature of a Manual Cycle by pressing TEMPERATURE until the desired temperature is selected.

NOTE: You cannot choose a Dryness Level with Manual Cycles.

Status Lights

You may follow the progress of your dryer with the drying Status indicator lights.

Status

- Sensing
- Wet
- Damp
- Cool Down
- Cycle Complete
- Wrinkle Shield
- Control Locked

Sensing

When a cycle is first turned on, the SENSING light glows until a wet item is detected.

- In an Automatic Cycle, if a wet item has not been detected within 10 minutes, the Sensing light will turn off and the dryer will shut down.
- In a Manual Cycle, if a wet item is not detected after 10 minutes the Wet light turns on and the selected cycle continues.

Wet

The WET light will turn on when a wet item has been detected in the dryer. The Wet light will remain on until:

- The damp dry point is reached in an Automatic Cycle.
- The dryer enters the cool down period in a Manual Cycle.

Damp

The DAMP light indicates that the load has reached the damp dry level.

NOTE: The Damp light is not used with manual cycles.

Cool Down

The COOL DOWN light glows during the cool down part of the cycle. Laundry is cooling down for ease in handling.

Cycle Complete

This light glows when a drying cycle is finished. If the WRINKLE SHIELD™ feature has been selected, the WRINKLE SHIELD™ feature indicator light will also be on.

The Cycle Complete light turns off one hour after the end of a drying cycle (including the WRINKLE SHIELD™ cycle of 2 hours), when Pause/Cancel is pressed, or when the door is opened.

WRINKLE SHIELD™ Feature

The WRINKLE SHIELD™ feature light glows when this option is selected. This indicator stays on with the Cycle Complete light.

Control Locked

The CONTROL LOCKED light glows when this option is enabled.

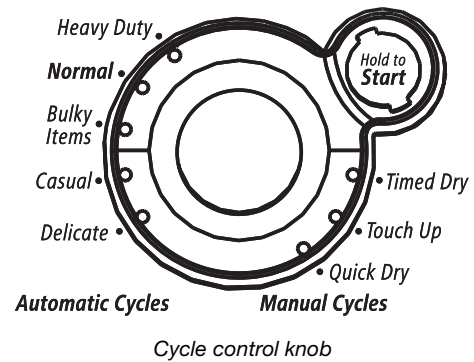
Indicator lights

Other indicator lights on the control panel show Cycle, Temperature, and End of Cycle settings selected.

The time display will indicate the estimated or actual time remaining in a cycle.

Cycles

Select the drying cycle that matches the type of load you are drying (see Automatic Preset or Manual Preset Cycle Settings charts).



Automatic Cycles

Automatic Cycles allow you to match the cycle to the load you are drying. See the following “Automatic Preset Cycle Settings” chart. Each cycle dries certain fabrics at the recommended temperature. A sensor detects the moisture in the load and automatically adjusts the drying time for optimal drying.

Heavy Duty

Use this cycle to get High heat for heavy fabrics such as cotton towels or bedspreads.

Normal

Use this cycle to get Medium heat for drying sturdy fabrics such as work clothes.

Bulky Items

Use this cycle to get medium heat for drying large items that require very long drying times, such as jackets, comforters and pillows. Rearrange the load halfway through the dryer cycle. This will aid in the drying process.

Casual

Use this cycle to get Low heat for drying no-iron fabrics, such as sport shirts, casual business clothes and permanent press blends.

Delicate

Use this cycle to get Extra Low heat to gently dry items such as lingerie or washable knit fabrics.

Automatic Preset Cycle Settings

Automatic Cycles Load Type	Temperature	Time* (Minutes)
HEAVY DUTY Heavyweight, towels	High	40
NORMAL Corduroys, work clothes	Medium	34
BULKY ITEMS Jackets, comforters, pillows	Medium	64
CASUAL Permanent press, synthetics	Low	36
DELICATE Lingerie, blouses, washable woolens	Extra Low	22

*Estimated Time with Dryness Level (medium) setting. Time will vary depending on load type and load size.

Manual Cycles

Use Manual Cycles to select a specific amount of drying time and a drying temperature. When a Manual Cycle is selected, the ESTIMATED TIME REMAINING display shows the actual time remaining in your cycle. You can change the actual time in the cycle by pressing MORE TIME or LESS TIME.

Timed Dry

Use this cycle to complete drying if items are still damp after an Automatic Cycle. Timed Dry is also useful for drying heavyweight and bulky items, such as bedspreads and work clothes. Lightweight garments, such as exercise wear, can be dried using Timed Dry on a Low temperature setting.

Touch Up

Use this setting to remove wrinkles from items, such as clothes packed in a suitcase or items wrinkled from being left in the dryer too long.

Quick Dry

Use this cycle for drying small loads or loads that need a short drying time.

Manual Preset Cycle Settings

Manual Cycles Load Type	Temperature	Default Time (Minutes)
TIMED DRY Heavyweight, bulk, bedspreads, work clothes	High	40
TOUCH UP Remove wrinkles	Medium	20
QUICK DRY Small loads	High	23

Additional Features

WRINKLE SHIELD™ Feature

When you are unable to remove a load of clothes from the dryer as soon as it stops, wrinkles can form. The WRINKLE SHIELD™ feature periodically tumbles, rearranges and fluffs the load to avoid wrinkles.

- Press the WRINKLE SHIELD™ feature to get up to 120 minutes of heat-free, periodic tumbling at the end of a cycle.
- Stop at any time by pressing the WRINKLE SHIELD™ feature or opening the dryer door.
- For the Casual Cycle, the WRINKLE SHIELD™ feature is preset to “On.” The other Automatic Cycles will retain the WRINKLE SHIELD™ feature setting. (For example, if you select the WRINKLE SHIELD™ feature in the Normal cycle, the WRINKLE SHIELD™ feature will be on the next time you select the Normal cycle.)

NOTE: If you do not select the WRINKLE SHIELD™ feature, the dryer stops after the cool down period.

Temperature

Temperature settings are used with the Manual Cycles. Press TEMPERATURE until the desired temperature setting glows. Temperature settings cannot be used with the Automatic Cycles.

High

Medium

Low

Extra Low

Air Only



Temperature
(Manual Cycles only)

Air Only

Use the Air Only setting for items that require drying without heat such as rubber, plastic and heat-sensitive fabrics. This chart shows examples of items that can be dried using Air Only.

Type of Load	Time* (Minutes)
Foam rubber - pillows, padded bras, stuffed toys	20 - 30
Plastic - Shower curtains, tablecloths	20 - 30
Rubber-backed rugs	40 - 50
Olefin, polypropylene, sheer nylon	10 - 20

*Reset time to complete drying, if needed.

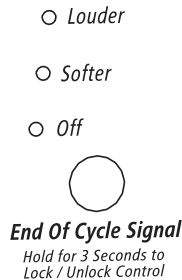
When using Air Only

- Check to see that coverings are securely stitched.
- Shake and fluff pillows by hand periodically during the cycle.
- Dry item completely. Foam rubber pillows are slow to dry.

NOTE: Automatic Cycles are not available when using the Air Only setting.

End of Cycle Signal

The End of Cycle Signal produces an audible sound when the drying cycle is finished. Promptly removing clothes at the end of the cycle reduces wrinkling.



Press and release the END OF CYCLE SIGNAL to adjust the sound level or turn off the signal.

NOTE: When the WRINKLE SHIELD™ feature is selected and the End of Cycle Signal is on, an audible sound will emit every 5 minutes until the clothes are removed, or the WRINKLE SHIELD™ feature is finished.

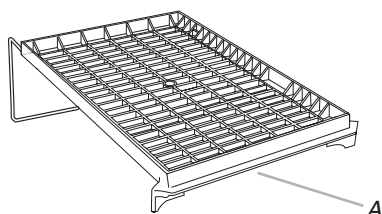
Drying Rack

The drying rack is useful for drying items you would not necessarily want to tumble dry or that you would normally line dry (for example, sweaters).

To use the drying rack

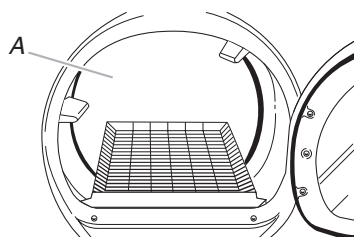
Do not remove the lint screen.

1. Open dryer door.



A. Front edge

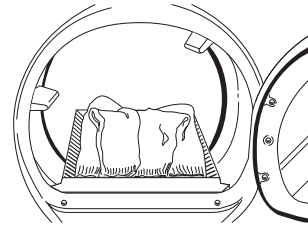
2. Place drying rack inside dryer drum, positioning the back wire on the edge of the inner dryer back panel. Push down on front edge of drying rack to secure over the lint screen.



A. Dryer back panel

3. Put the wet items on top of the rack. Leave space between the items so air can reach all the surfaces.

NOTE: Do not allow items to hang over the edge of the rack.



4. Close the door.
5. Select a timed drying cycle and temperature, or an air cycle (see following chart). Items containing foam, rubber, or plastic must be dried on a clothesline or by using the Air Only temperature setting.
6. You must select a time by pressing MORE TIME or LESS TIME. Reset time as needed to complete drying. Refer to the following table.
7. Press (and hold) HOLD TO START button (about 1 second).

NOTE: You must remove rack for normal tumbling. Do not use automatic cycles with the drying rack.

This chart shows examples of items that can be rack dried and the suggested cycle, temperature setting and drying time. Actual drying time will depend on the amount of moisture items hold.

Rack Dry	Setting	Temp.	Time*
Wool Sweaters Block to shape and lay flat on the rack.	Timed Dry	Low	60
Stuffed toys or pillows Cotton or polyester fiber filled	Timed Dry	Low	60
Stuffed toys or pillows Foam rubber filled	N/A	Air Only (no heat)	90
Sneakers or canvas shoes	N/A	Air Only (no heat)	90

*(Minutes) Reset time to complete drying, if needed.

DRYER CARE

Cleaning the Dryer Location

Keep dryer area clear and free from items that would obstruct the flow of combustion and ventilation air.

! WARNING



Explosion Hazard

Keep flammable materials and vapors, such as gasoline, away from dryer.

Place dryer at least 18 inches (46 cm) above the floor for a garage installation.

Failure to do so can result in death, explosion, or fire.

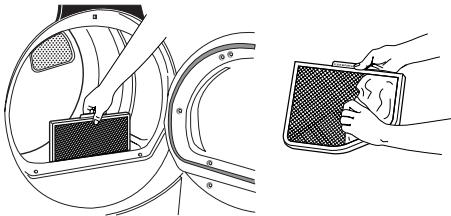
Cleaning the Lint Screen

Every load cleaning

The lint screen is located in the door opening of the dryer. Clean it before or after each load. A screen blocked by lint can increase drying time.

To clean

1. Pull the lint screen straight up. Roll lint off the screen with your fingers. Do not rinse or wash screen to remove lint. Wet lint is hard to remove.



2. Push the lint screen firmly back into place.

IMPORTANT:

- Do not run the dryer with the lint screen loose, damaged, blocked, or missing. Doing so can cause overheating and damage to both the dryer and fabrics.
- Some towels made of synthetic fibers and natural fibers (polyester and cotton blends) may shed more lint than other towels, causing your dryer's lint screen to fill up faster. Be sure to remove lint from the lint screen before and after drying new towels.
- If lint falls off the screen into the dryer during removal, check the exhaust hood and remove the lint. See "Venting Requirements."

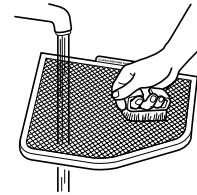
As needed cleaning

Laundry detergent and fabric softener residue can build up on the lint screen. This buildup can cause longer drying times for your clothes, or cause the dryer to stop before your load is completely dry. The screen is probably clogged if lint falls off while the screen is in the dryer.

Clean the lint screen with a nylon brush every 6 months, or more frequently, if it becomes clogged due to a residue buildup.

To wash

1. Roll lint off the screen with your fingers.
2. Wet both sides of lint screen with hot water.
3. Wet a nylon brush with hot water and liquid detergent. Scrub lint screen with the brush to remove residue buildup.



4. Rinse screen with hot water.
5. Thoroughly dry lint screen with a clean towel. Replace screen in dryer.

Cleaning the Dryer Interior

To clean dryer drum

1. Make a paste with powdered laundry detergent and very warm water.
2. Apply paste to a soft cloth.

OR

Apply a liquid, nonflammable household cleaner to the stained area and rub with a soft cloth until all excess dye and stains are removed.

3. Wipe drum thoroughly with a damp cloth.
4. Tumble a load of clean cloths or towels to dry drum.

NOTE: Garments which contain unstable dyes, such as denim blue jeans or brightly colored cotton items, may discolor the dryer interior. These stains are not harmful to your dryer and will not stain future loads of clothes. Dry unstable dye items inside out to prevent dye transfer.

Removing Accumulated Lint

From Inside the Dryer Cabinet

Lint should be removed every 2 years or more often, depending on dryer usage. Cleaning should be done by a qualified person.

From the Exhaust Vent

Lint should be removed every 2 years, or more often, depending on dryer usage.

Vacation and Moving Care


Vacation care

Operate your dryer only when you are at home. If you will be on vacation or not using your dryer for an extended period of time, you should:

1. Unplug dryer or disconnect power.
2. Clean lint screen. See "Cleaning the Lint Screen."

Moving care

⚠ WARNING



Electrical Shock Hazard

Disconnect power before servicing.

Replace all parts and panels before operating.

Failure to do so can result in death or electrical shock.

1. Unplug dryer or disconnect power. Disconnect wiring if dryer is direct wired.
 2. Make sure leveling legs are secure in dryer base.
 3. Use masking tape to secure dryer door.
-

Changing the Drum Light

The dryer light automatically turns on inside the dryer drum when you open the door.

To change the drum light

1. Unplug dryer or disconnect power.
 2. Open the dryer door. Locate the light bulb cover on the back wall of the dryer. Remove the screw located in the lower right corner of the cover. Remove the cover.
 3. Turn bulb counterclockwise. Replace the bulb with a 10-watt appliance bulb only. Replace the cover and secure with the screw.
 4. Plug in dryer or reconnect power.
-

TROUBLESHOOTING

First try the solutions suggested here and possibly avoid the cost of a service call...

Dryer displaying code message

- **"PF" (power failure), check the following:**
Was the drying cycle interrupted by a power failure?
Press (and hold) HOLD TO START button to restart the dryer.
 - **"E" Variable (E1, E2, E3) service codes:**
Call for service.
-

Clothes are not drying satisfactorily

- **Check the following:**
Is the lint screen clogged with lint?

Is the exhaust vent or outside exhaust hood clogged with lint, restricting air movement? Run the dryer for 5-10 minutes. Hold your hand under the outside exhaust hood to check air movement. If you do not feel air movement, clean exhaust system of lint or replace exhaust vent with heavy metal or flexible metal vent. See "Installation Instructions."

Is the exhaust vent crushed or kinked? Replace with a heavy metal or flexible metal vent. See "Installation Instructions."

Has a fuse blown, or has a circuit breaker tripped? Electric dryers use 2 household fuses or breakers. The drum may be turning, but you may not have heat.

Has an air cycle been selected? Select the right cycle for the types of garments being dried. See "Cycles."

Is the automatic cycle ending early? The load may not be contacting the electronic sensor strips. Level the dryer.

Are fabric softener sheets blocking the grille? Use only one fabric softener sheet and only use it once.
 - **Is the dryer located in a room with temperature below 45°F (7°C)?**
Proper operation of dryer cycles requires temperatures above 45°F (7°C).
 - **Was a cold rinse water used? Was the load very wet?**
Expect longer drying times with items rinsed in cold water and with items that hold moisture (cottons).
 - **Is the load too large and heavy to dry quickly?**
Separate the load to tumble freely.
-

Dryer will not run

- **Check the following:**
Is the power cord plugged in?

Has a fuse blown, or has a circuit breaker tripped?

Was a regular fuse used? Use a time-delay fuse.

Is the dryer door firmly closed? If not, the time display will blink.

Was HOLD TO START firmly pressed and held for at least 1 second?

Is a cycle selected?

Unusual sounds

- **Has the dryer had a period of non-use?**
If the dryer hasn't been used for a while, there may be a thumping sound during the first few minutes of operation.

Lint on load

- **Is the lint screen clogged?**
Clean lint screen. Check for air movement.
- **Is load properly sorted?**
Sort lint givers (towels, chenille) from lint takers (corduroy, synthetics). Also sort by color.
- **Is the load too big or too heavy?**
Dry smaller loads so lint can be carried to the lint screen.
- **Was the load overdried?**
Use correct dryer settings for load type. See "Cycles."
Overdrying can cause lint-attracting static electricity.
- **Was paper or tissue left in pockets?**
- **Is pilling being mistaken for lint?**
Pilling (surface fuzz) is caused by normal wear and laundering.

Stains on load or color change

- **Was dryer fabric softener properly used?**
Add dryer fabric softener sheets at the beginning of the cycle when the load is cold. Do not add fabric softener sheets to a warm load.
- **Were items soiled when placed in the dryer?**
Items should be clean before being dried.
- **Were items properly sorted?**
Sort light colors from dark colors. Sort colorfast items from noncolorfast items.

Items shrinking

- **Was the dryer overloaded?**
Dry smaller loads that can tumble freely.
- **Did the load overdry?**
Check the manufacturer's care label. Match dryer setting to load type. See "Cycles."

Loads are wrinkled

- **Was load removed from dryer at the end of the cycle?**
- **Was dryer overloaded?**
Dry smaller loads that can tumble freely.
- **Did load overdry?**
Check the manufacturer's care label. Match dryer setting to load type. See "Cycles."

Odors

- **Have you recently been painting, staining or varnishing in the area where your dryer is located?**
If so, ventilate the area. When the odors or fumes are gone from the area, rewash and dry the clothing.
- **Is the dryer being used for the first time?**
The new electric heating element may have an odor. The odor will be gone after the first cycle.

Garment damage

- **Check the following:**
 - Were zippers, snaps, and hooks left open?
 - Were strings and sashes tied to prevent tangling?
 - Were care label instructions followed?
 - Were items damaged before drying?

ASSISTANCE OR SERVICE

Before calling for assistance or service, please check "Troubleshooting." It may save you the cost of a service call. If you still need help, follow the instructions below.

When calling, please know the purchase date and the complete model and serial number of your appliance. This information will help us to better respond to your request.

If you need replacement parts

If you need to order replacement parts, we recommend that you use only FSP® factory specified parts. These parts will fit right and work right because they are made with the same precision used to build every new WHIRLPOOL® appliance.

To locate FSP replacement parts in your area:

Call **1-800-807-6777**, or your nearest designated service center.

For assistance

Call the Whirlpool Canada Inc. Customer Interaction Center toll free: **1-800-461-5681** Monday to Friday 8:00 a.m. - 6:00 p.m. (EST). Saturday 8:30 a.m. - 4:30 p.m. (EST).

Our consultants provide assistance with:

- Features and specifications on our full line of appliances.
- Referrals to local dealers.

For service

Call **1-800-807-6777**. Whirlpool Canada Inc. designated service technicians are trained to fulfill the product warranty and provide after-warranty service, anywhere in Canada.

For further assistance

If you need further assistance, you can write to Whirlpool Canada Inc. with any questions or concerns at:

Customer Interaction Center
Whirlpool Canada Inc.
1901 Minnesota Court
Mississauga, Ontario L5N 3A7

Please include a daytime phone number in your correspondence.

WHIRLPOOL CORPORATION MAJOR APPLIANCE WARRANTY

ONE YEAR LIMITED WARRANTY

For one year from the date of purchase, when this major appliance is operated and maintained according to instructions attached to or furnished with the product, Whirlpool Corporation or Whirlpool Canada LP (hereafter "Whirlpool") will pay for FSP® replacement parts and repair labor to correct defects in materials or workmanship. Service must be provided by a Whirlpool designated service company.

ITEMS WHIRLPOOL WILL NOT PAY FOR

1. Service calls to correct the installation of your major appliance, to instruct you how to use your major appliance, to replace or repair house fuses or to correct house wiring or plumbing.
 2. Service calls to repair or replace appliance light bulbs, air filters or water filters. Those consumable parts are excluded from warranty coverage.
 3. Repairs when your major appliance is used for other than normal, single-family household use.
 4. Damage resulting from accident, alteration, misuse, abuse, fire, flood, acts of God, improper installation, installation not in accordance with electrical or plumbing codes, or use of products not approved by Whirlpool.
 5. Any food loss due to refrigerator or freezer product failures.
 6. Replacement parts or repair labor costs for units operated outside the United States or Canada.
 7. Pickup and delivery. This major appliance is designed to be repaired in the home.
 8. Repairs to parts or systems resulting from unauthorized modifications made to the appliance.
 9. Expenses for travel and transportation for product service in remote locations.
 10. The removal and reinstallation of your appliance if it is installed in an inaccessible location or is not installed in accordance with published installation instructions.
-

DISCLAIMER OF IMPLIED WARRANTIES; LIMITATION OF REMEDIES

CUSTOMER'S SOLE AND EXCLUSIVE REMEDY UNDER THIS LIMITED WARRANTY SHALL BE PRODUCT REPAIR AS PROVIDED HEREIN. IMPLIED WARRANTIES, INCLUDING WARRANTIES OF MERCHANTABILITY OR FITNESS FOR A PARTICULAR PURPOSE, ARE LIMITED TO ONE YEAR OR THE SHORTEST PERIOD ALLOWED BY LAW. WHIRLPOOL SHALL NOT BE LIABLE FOR INCIDENTAL OR CONSEQUENTIAL DAMAGES. SOME STATES AND PROVINCES DO NOT ALLOW THE EXCLUSION OR LIMITATION OF INCIDENTAL OR CONSEQUENTIAL DAMAGES, OR LIMITATIONS ON THE DURATION OF IMPLIED WARRANTIES OF MERCHANTABILITY OR FITNESS, SO THESE EXCLUSIONS OR LIMITATIONS MAY NOT APPLY TO YOU. THIS WARRANTY GIVES YOU SPECIFIC LEGAL RIGHTS AND YOU MAY ALSO HAVE OTHER RIGHTS, WHICH VARY FROM STATE TO STATE OR PROVINCE TO PROVINCE.

Outside the 50 United States and Canada, this warranty does not apply. Contact your authorized Whirlpool dealer to determine if another warranty applies.

If you need service, first see the "Troubleshooting" section of the Use & Care Guide. After checking "Troubleshooting," additional help can be found by checking the "Assistance or Service" section or by calling Whirlpool. In the U.S.A., call **1-800-253-1301**. In Canada, call **1-800-807-6777**. 8/05

Keep this book and your sales slip together for future reference. You must provide proof of purchase or installation date for in-warranty service.

Write down the following information about your dryer to better help you obtain assistance or service if you ever need it. You will need to know your complete model number and serial number. You can find this information on the model and serial number label, located at the top inside door well.

Dealer name _____
Address _____
Phone number _____
Model number _____
Serial number _____
Purchase date _____

Notes

SÉCURITÉ DE LA SÉCHEUSE

Votre sécurité et celle des autres est très importante.

Nous donnons de nombreux messages de sécurité importants dans ce manuel et sur votre appareil ménager. Assurez-vous de toujours lire tous les messages de sécurité et de vous y conformer.



Voici le symbole d'alerte de sécurité.

Ce symbole d'alerte de sécurité vous signale les dangers potentiels de décès et de blessures graves à vous et à d'autres.

Tous les messages de sécurité suivront le symbole d'alerte de sécurité et le mot "DANGER" ou "AVERTISSEMENT". Ces mots signifient :

⚠ DANGER

Risque possible de décès ou de blessure grave si vous ne suivez pas immédiatement les instructions.

⚠ AVERTISSEMENT

Risque possible de décès ou de blessure grave si vous ne suivez pas les instructions.

Tous les messages de sécurité vous diront quel est le danger potentiel et vous disent comment réduire le risque de blessure et ce qui peut se produire en cas de non-respect des instructions.

IMPORTANTES INSTRUCTIONS DE SÉCURITÉ

AVERTISSEMENT : Pour réduire le risque d'incendie, de choc électrique ou de blessure lors de l'utilisation de la sècheuse, il convient d'observer certaines précautions élémentaires dont les suivantes :

- Lire toutes les instructions avant d'utiliser la sècheuse.
- Ne pas placer des articles exposés aux huiles de cuisson dans votre sècheuse. Les articles contaminés par des huiles de cuisson peuvent contribuer à une réaction chimique qui pourrait causer à la charge de s'enflammer.
- Ne pas faire sécher dans la machine des articles qui ont déjà été nettoyés, lavés, imbibés, ou tachés d'essence, de solvants pour nettoyage à sec, d'autres substances inflammables, ou de substances explosives puisqu'elles dégagent des vapeurs qui peuvent provoquer un incendie ou une explosion.
- Ne pas permettre à des enfants de jouer sur ou à l'intérieur de la sècheuse. Une surveillance étroite est nécessaire lorsque la sècheuse est utilisée près d'eux.
- Avant d'enlever la sècheuse du service ou la jeter, enlever la porte du compartiment de séchage.
- Ne pas mettre la main dans la sècheuse si le tambour est en mouvement.
- Ne pas installer ni entreposer la sècheuse où elle sera exposée aux intempéries.
- Ne pas jouer avec les commandes.
- Ne pas réparer ni remplacer une pièce de la sècheuse ou essayer d'en faire l'entretien à moins d'une recommandation spécifique dans le guide d'utilisation et d'entretien, ou publiée dans les instructions de réparation par l'utilisateur que vous comprenez et pouvez exécuter avec compétence.
- Ne pas utiliser un produit assouplissant de tissu ou des produits pour éliminer la statique à moins qu'ils ne soient recommandés par le fabricant du produit assouplissant de tissu ou du produit.
- Ne pas utiliser la chaleur pour faire sécher des articles fabriqués avec du caoutchouc mousse ou des matériaux semblables.
- Nettoyer le filtre à charpie avant et après chaque charge.
- Ne pas laisser la charpie, la poussière, ou la saleté s'accumuler autour du système d'évacuation ou autour de l'appareil.
- Un nettoyage périodique de l'intérieur de la sècheuse et du conduit d'évacuation doit être effectué par une personne qualifiée.
- Voir les instructions d'installation pour les exigences de liaison de l'appareil à la terre.

CONSERVEZ CES INSTRUCTIONS

INSTRUCTIONS D'INSTALLATION

Outillage et pièces nécessaires

S'assurer d'avoir tout le nécessaire pour une installation convenable. C'est à l'utilisateur qu'incombe la responsabilité d'assurer une installation convenable.

- Tournevis à lame plate
- Clé à molette avec ouverture jusqu'à 1" (2,5 cm) ou clé à douille hexagonale (pour ajuster les pieds de la sécheuse)
- Niveau
- Tournevis Phillips n° 2
- Lunettes de sécurité
- Clapets d'évacuation
- Pistolet à calfeutrage et composé de calfeutrage (pour l'installation d'un nouveau circuit d'évacuation)
- Gants
- Cisaille de ferblantier (pour l'installation d'un nouveau conduit)

Pièces fournies

Retirer les sachets de pièces du tambour de la sécheuse. Vérifier que toutes les pièces de la liste sont présentes.

- Sachet de pièces



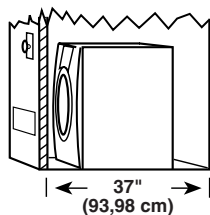
4 pieds de nivellement

REMARQUE : Ne pas utiliser les pieds de nivellement si la sécheuse doit être installée sur un piédestal.

Pièces nécessaires

Consulter les codes locaux. Vérifier l'alimentation électrique et le circuit d'évacuation existants. Voir "Spécifications électriques" et "Exigences concernant l'évacuation" avant d'acheter les pièces.

- Pour les installations à faible espacement entre 31,5" (80,01 cm) et 37" (93,98 cm), voir la section "Planification du système d'évacuation" pour les exigences d'évacuation.

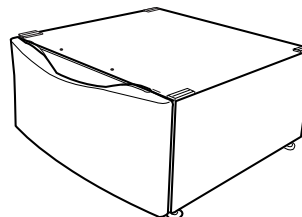


Les installations pour maison mobile nécessitent un système d'évacuation en métal disponible à l'achat chez le marchand chez qui vous avez acheté votre sécheuse. Pour plus de renseignements, veuillez consulter la section "Assistance ou service" de ce manuel.

Options

Piédestal

Installez-vous la sécheuse sur un piédestal? Vous pouvez acheter un piédestal séparément pour cette sécheuse. Ce piédestal ajoutera environ 13" (33 cm) à la hauteur de la sécheuse pour une hauteur totale d'environ 51" (130 cm).



Piédestal facultatif

Pour commander, téléphoner au marchand chez qui vous avez acheté votre sécheuse ou se référer à la section "Assistance ou service" de ce manuel. Demander la pièce numéro LAB2700MQ (blanche), LAB2700MT (biscuit) ou LAB2700ML (étain).

Nécessaire de superposition

Prévoyez-vous superposer votre laveuse et votre sécheuse DUET®? Pour ce faire, vous devrez acheter un nécessaire de superposition.

Pour commander, téléphoner au marchand chez qui vous avez acheté votre sécheuse ou se référer à la section "Assistance ou service" de ce manuel. Demander la pièce numéro 8541503.

Trousse d'inversion de porte

Prévoyez-vous inverser le sens d'ouverture de la porte de votre sécheuse DUET®? Pour ce faire, vous devrez acheter une trousse d'inversion de porte.

Pour commander, téléphoner au marchand chez qui vous avez acheté votre sécheuse ou se référer à la section "Assistance ou service" de ce manuel. Demander le numéro de pièce 8530069 (bleu écusson), 8530070 (platine écusson), 8530071 (biscuit) ou 8530072 (étain).

Trousse d'inversion de la porte et ensemble de superposition

Prévoyez-vous inverser le sens d'ouverture de la porte sur votre sécheuse DUET® et superposer votre laveuse et votre sécheuse DUET®? Pour ce faire, vous pouvez acheter une trousse d'inversion de la porte et ensemble de superposition.

Pour commander, appeler le vendeur chez qui vous avez acheté votre sécheuse ou consulter la section "Assistance ou service" de ce manuel. Demander le numéro de pièce 8530073 (bleu écusson), 8530074 (platine écusson), 8530075 (biscuit) ou 8530076 (étain).

Dosseret

Si vous installez votre laveuse et votre sècheuse DUET® et souhaitez éviter de voir des objets tomber à l'arrière de vos machines, vous pouvez acheter une paire de dosserets pour laveuse/sècheuse. Ceux-ci réduiront les chances de chute d'objets derrière les machines pendant le fonctionnement.

Pour commander, téléphoner au marchand chez qui vous avez acheté votre sècheuse ou se référer à la section "Assistance ou service" de ce manuel. Demandez la pièce numéro 8558694 (blanc), 8558695 (biscuit) ou 8558696 (étain).

Emplacement d'installation

⚠ AVERTISSEMENT



Risque d'explosion

Garder les matières et les vapeurs inflammables, telle que l'essence, loin de la sècheuse.

Placer la sècheuse au moins 46 cm (18 po) au-dessus du plancher pour une installation dans un garage.

Le non-respect de ces instructions peut causer un décès, une explosion ou un incendie.

Il vous faudra

- Un emplacement avec un conduit d'évacuation à proximité. Voir "Exigences concernant l'évacuation".
- Un circuit séparé de 30 ampères.
- Une prise électrique avec liaison à la terre située à moins de 2 pi (61 cm) de l'un des côtés de la sècheuse. Voir "Spécifications électriques".
- Un plancher robuste capable de soutenir le poids total de la sècheuse de 200 lb (90,7 kg). Il faut aussi prendre en compte le poids combiné d'un appareil ménager voisin.
- Un plancher de niveau ayant une pente maximale de 1" (2,5 cm) sous l'ensemble de la sècheuse. Si la pente est supérieure à 1" (2,5 cm), installer l'ensemble de pieds longs pièce n° 279810. Si la sècheuse n'est pas d'aplomb, le linge peut ne pas culbuter convenablement et les programmes automatiques commandés par détecteur peuvent ne pas fonctionner correctement.
- Pour l'installation dans un garage, il faut placer la sècheuse à au moins 18" (46 cm) au-dessus du sol. Si on utilise un piédestal, il faudra ajouter 6" (15,24 cm) de plus.

Ne pas faire fonctionner la sècheuse à des températures inférieures à 45°F (7°C). À des températures inférieures, la sècheuse risque de ne plus s'arrêter à la fin d'un programme automatique. Ceci risque de prolonger les durées de séchage.

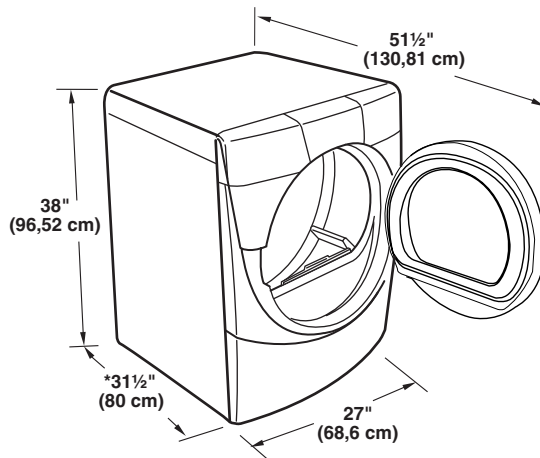
La sècheuse ne doit pas être installée ou remise dans un endroit où elle sera exposée à l'eau et/ou aux intempéries.

Vérifier les règlements locaux. Certains codes limitent ou n'autorisent pas l'installation des sècheuses dans un garage, un placard, une maison mobile ou une chambre à coucher. Communiquer avec l'inspecteur des bâtiments local.

Espaces d'installation

- L'emplacement doit être assez grand pour permettre d'ouvrir complètement la porte de la sècheuse.
- On prévoira un peu plus d'espace pour faciliter l'installation et l'entretien.
- Un espace supplémentaire peut être requis pour les moulures de porte et de plancher et pour les plinthes.
- Un espace supplémentaire de 1" (2,5 cm) de tous les côtés de la sècheuse est recommandé pour réduire le transfert du bruit.
- Il faut aussi prendre en compte l'espace requis entre les appareils voisins.

Dimensions de la sècheuse

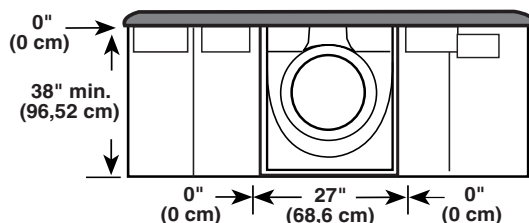


*La plupart des installations requièrent un espace minimum de 5 1/2" (14 cm) derrière la sècheuse pour le conduit d'évacuation avec coude. Voir "Exigences concernant l'évacuation".

Espace minimum recommandé pour une installation personnalisée sous un comptoir

Les dimensions indiquées sont pour l'espacement minimum permis.

Installation personnalisée sous un comptoir - sècheuse seulement

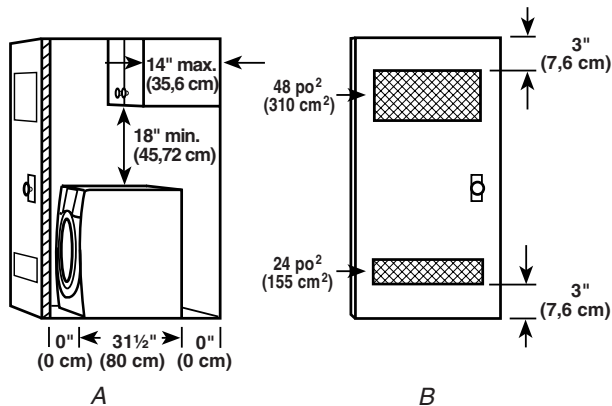


Espacement minimum pour une installation dans un encastrement ou dans un placard, avec ou sans piédestal

- Les dimensions indiquées sont pour l'espace minimum permis.

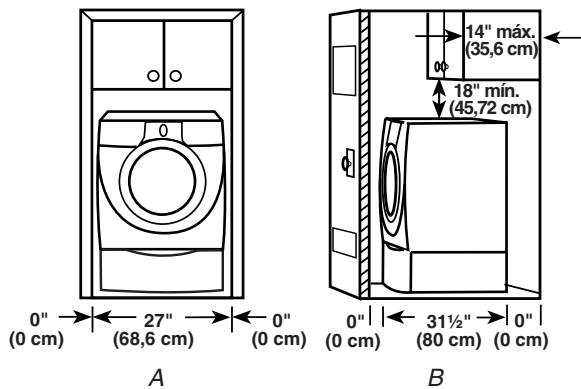
Pour installation dans un placard avec porte, on doit prévoir des ouvertures minimum d'entrée d'air en haut et en bas de la porte. Les portes à claire-voie offrant des ouvertures équivalentes de passage de l'air sont acceptables.

Installation dans un placard - Sécheuse seulement



A. Vue latérale - placard ou endroit exigu
B. Porte de placard avec orifices d'entrée d'air

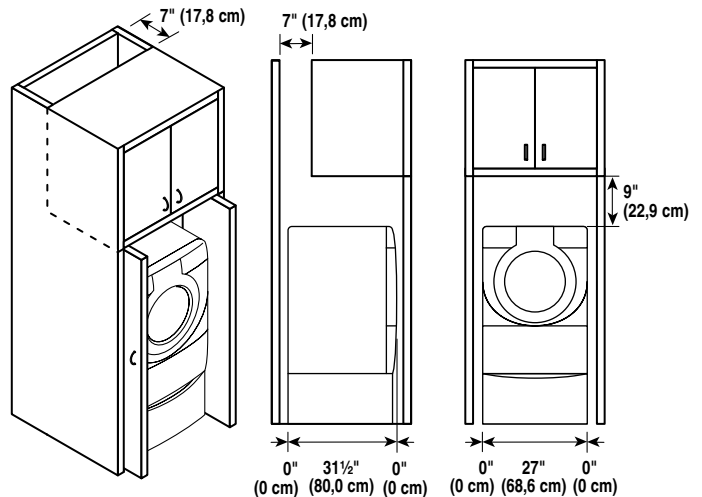
Installation dans un encastrement ou placard - sécheuse sur piédestal



A. Encastrement
B. Vue latérale - placard ou endroit exigu

Espacement minimum recommandé pour l'installation de la caisse

- Les dimensions indiquées sont pour l'espace minimum permis.
- Pour installation de la caisse avec porte, on doit prévoir des ouvertures minimum d'entrée d'air au sommet de la caisse.



Exigences supplémentaires pour l'installation dans une maison mobile

Cette sécheuse convient aux installations pour maison mobile. L'installation doit être conforme à la norme canadienne sur les maisons préfabriquées CAN/CSA-Z240 MH.

L'installation dans une maison mobile exige :

- Un système d'évacuation en métal qui peut être acheté chez votre marchand.
- Il faut prendre des dispositions spéciales pour l'apport d'air de l'extérieur dans la sécheuse. L'ouverture (telle qu'une fenêtre à proximité) devrait être au moins deux fois plus grande que l'ouverture de décharge de la sécheuse.

Spécifications électriques

⚠ AVERTISSEMENT



Risque de choc électrique

Brancher sur une prise à 4 alvéoles reliée à la terre.

Le non-respect de cette instruction peut causer un décès ou un choc électrique.

C'est à l'utilisateur qu'incombe la responsabilité de

- Communiquer avec un électricien qualifié.
- S'assurer que les connexions électriques sont adéquates et conformes au Code canadien de l'électricité, C22.1 - dernière édition et à tous les codes locaux. Pour obtenir un exemplaire de la norme des codes ci-dessus, contacter : Association canadienne de normalisation, 178 Rexdale Blvd., Toronto, ON M9W 1R3 CANADA.

- Alimenter l'appareil uniquement par un circuit monophasé de 115/230 volts CA, 60 Hz à 4 fils, sur un circuit séparé de 30 ampères, fusionné aux deux extrémités de la ligne. On recommande l'emploi d'un fusible temporisé ou disjoncteur. On recommande également que cet appareil soit alimenté par un circuit indépendant.
- Cette sècheuse est équipée d'un cordon électrique homologué par la CSA International à introduire dans une prise murale standard 14-30R. Le cordon mesure 5 pi (1,52 m). Veiller à ce que la prise murale se trouve à proximité de l'emplacement définitif de la sècheuse.



Prise murale à 4 fils 14-30R

Si on utilise un cordon d'alimentation de rechange, il est recommandé d'utiliser le cordon d'alimentation de rechange numéro de pièce 9831317. Pour plus d'information, veuillez consulter les numéros de service qui se trouvent à la section "Assistance ou Service" de ce manuel.

INSTRUCTIONS DE LIAISON À LA TERRE

- Pour une sècheuse reliée à la terre et connectée par un cordon :
Cette sècheuse doit être reliée à la terre. En cas de mauvais fonctionnement ou de panne, la liaison à la terre réduira le risque de choc électrique en offrant au courant électrique un acheminement d'évacuation de moindre résistance. Cette sècheuse est alimentée par un cordon électrique comportant un conducteur relié à la terre et une fiche de branchement munie d'une broche de liaison à la terre. La fiche doit être branchée sur une prise appropriée qui est bien installée et reliée à la terre conformément à tous les codes et règlements locaux.

AVERTISSEMENT : Le raccordement incorrect de cet appareil au conducteur de liaison à la terre peut susciter un risque de choc électrique. En cas de doute quant à la qualité de liaison à la terre de la sècheuse, consulter un électricien ou un technicien ou un personnel qualifié. Ne pas modifier la fiche de branchement fournie avec la sècheuse; si la fiche ne correspond pas à la configuration de la prise de courant, demander à un électricien qualifié d'installer une prise de courant appropriée.

CONSERVEZ CES INSTRUCTIONS

Exigences concernant l'évacuation

⚠ AVERTISSEMENT



Risque d'incendie

- Utiliser un conduit d'évacuation en métal lourd.
- Ne pas utiliser un conduit d'évacuation en plastique.
- Ne pas utiliser un conduit d'évacuation en feuille de métal.
- Le non-respect de ces instructions peut causer un décès ou un incendie.

AVERTISSEMENT : Pour réduire le risque d'incendie, cette sècheuse DOIT ÉVACUER L'AIR À L'EXTÉRIEUR.

Utiliser un conduit d'évacuation métallique robuste de 4" (10,2 cm) et des brides de fixation. Les produits d'évacuation DURASAFE™ sont recommandés.

On peut se procurer les produits d'évacuation DURASAFE™ auprès du marchand ou en téléphonant à Pièces et accessoires Whirlpool. Pour plus de renseignements, voir la section "Assistance ou service" de ce manuel.

- Le système d'évacuation de la sècheuse ne doit pas être connecté à une évacuation de gaz, une cheminée, un mur, un plafond ou un vide dans le bâtiment.
- Ne pas utiliser un clapet d'évacuation à fermeture magnétique.
- Ne pas installer le conduit flexible dans les cavités fermées des murs, plafonds ou planchers.
- Utiliser des brides de serrage pour sceller tous les joints. Le système d'évacuation ne doit pas être connecté ou fixé avec des vis ou autres dispositifs de serrage qui se prolongent à l'intérieur du conduit. Ne pas utiliser de ruban adhésif.

IMPORTANT : Respecter toutes les prescriptions des codes et règlements en vigueur.

Une mauvaise évacuation de l'air peut causer de l'humidité et une accumulation de charpie à l'intérieur de la maison qui peut causer :

- Dommages par l'humidité aux boiseries, meubles, peinture, papier-peint, tapis, etc.
- Problèmes de nettoyage dans la maison et problèmes de santé.

Utiliser un conduit métallique lourd. Ne pas utiliser un conduit de plastique ou en feuille métallique.

On recommande d'utiliser un conduit métallique rigide pour réduire les risques d'écrasement et de déformation.

Un conduit métallique souple doit être totalement déployé et soutenu lorsque la sècheuse est à sa position finale. Enlever tout excès de conduit souple pour éviter tout affaissement et déformation susceptibles de réduire la capacité d'évacuation et le rendement.

Terminer le conduit d'évacuation par un clapet de décharge pour empêcher les rongeurs et insectes d'entrer dans l'habitation.

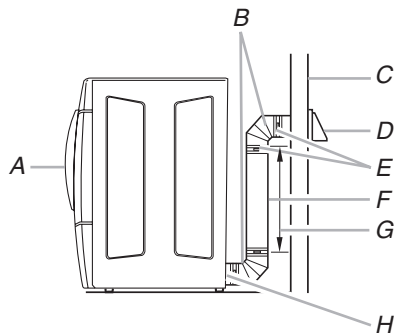
Le clapet de décharge doit être situé à au moins 12" (30,5 cm) au-dessus du sol ou de tout objet se trouvant sur le trajet de l'air humide rejeté (par exemple, fleurs, roches ou arbustes, etc.)

Lors de l'utilisation d'un système de décharge existant, nettoyer et éliminer la charpie sur toute la longueur du système et veiller à ce que le clapet de décharge ne soit pas obstrué par une accumulation de charpie. Remplacer tout conduit de plastique ou de feuille métallique par un conduit métallique rigide ou souple.

Planification du système d'évacuation

Installations typiques d'évacuation

Les installations typiques consistent à acheminer le conduit d'évacuation à l'arrière de la sécheuse. D'autres installations sont possibles.



- | | |
|-----------------------|---|
| A. Sécheuse | F. Conduit métallique rigide ou souple |
| B. Coude | G. Longueur de conduit nécessaire pour raccorder les coudes |
| C. Mur | H. Bouche de décharge |
| D. Clapet de décharge | |
| E. Brides | |

Installations d'évacuation facultatives

Cette sécheuse peut être convertie pour évacuer par le côté droit, le côté gauche ou par le bas. Contactez votre marchand local pour faire convertir la sécheuse.

AVERTISSEMENT



Risque d'incendie

Recouvrir tous les orifices d'évacuation non utilisés avec l'une des trouses suivantes :

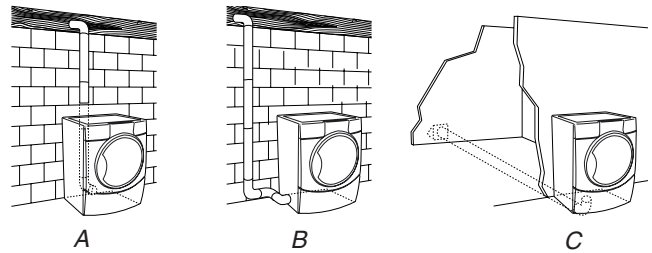
279818 (blanche)

279925 (bisque)

279969 (étain)

Contactez votre marchand local.

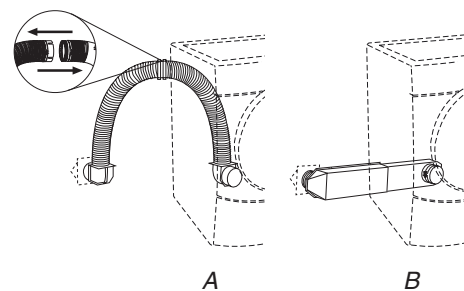
Le non-respect de ces instructions peut causer un décès, un incendie, un choc électrique ou une blessure grave.



- A. Acheminement standard du conduit d'évacuation par l'arrière
 B. Acheminement du conduit d'évacuation par la gauche ou par la droite
 C. Acheminement du conduit d'évacuation par le bas (pas une option avec les installations sur piedestal).

Autres installations où le dégagement est réduit

Il existe de nombreux systèmes d'évacuation. Choisir le système qui convient le mieux à l'installation. Deux installations à dégagement réduit sont illustrées. Consulter les instructions du fabricant fournies avec le système d'évacuation.



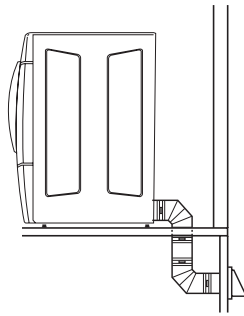
- A. Installation au-dessus de la sécheuse (aussi disponible avec un coude décalé)
 B. Installation de périscope

REMARQUE : On peut acheter les trouses suivantes pour les installations où le dégagement est réduit. Veuillez consulter la section "Assistance ou service" de ce manuel pour passer une commande.

- Installation au-dessus de la sécheuse :
Pièce numéro 4396028
- Installation de périscope (Pour utilisation en cas de non-concordance de la bouche de décharge de la sécheuse avec le clapet) :
Pièce numéro 4396037 – Non-concordance de 0" (0 cm) à 18" (45,72 cm)
Pièce numéro 4396011 – Non-concordance de 18" (45,72 cm) à 29" (73,66 cm)
Pièce numéro 4396014 – Non-concordance de 29" (73,66 cm) à 50" (127 cm)

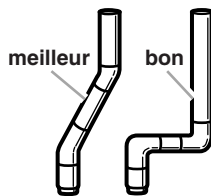
Dispositions spéciales pour les installations dans une maison mobile

Le système d'évacuation doit être solidement fixé à une section non combustible de la structure de la maison mobile et ne doit pas se terminer en dessous de la maison mobile. Faire en sorte que le système d'évacuation se termine à l'extérieur.



Détermination de la longueur du conduit

1. Choisir l'itinéraire d'acheminement vers l'extérieur qui sera le plus direct et le plus rectiligne. Planifier l'installation pour introduire le nombre minimal de coudes et changements de direction. Si des coudes sont utilisés pour les changements de direction, prévoir autant d'espace que possible. Plier le conduit graduellement pour éviter de le déformer. Éviter les changements de direction à 90°.

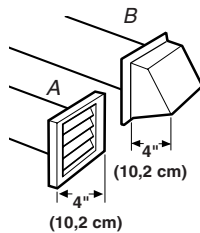


2. Déterminer la longueur du conduit.

La longueur maximale du conduit d'évacuation dépend de plusieurs facteurs :

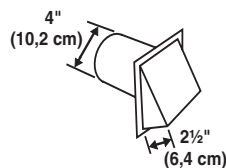
- Le type de conduit (métal rigide ou souple).
- Le nombre de coudes incorporés au circuit.
- Le type de clapet.

Les styles de clapet recommandés sont illustrés ci-dessous.



A. Clapet à persiennes
B. Clapet de type boîte

Le clapet incliné (illustré ci-dessous) est acceptable.



Consulter le tableau correspondant au type de clapet d'évacuation utilisé pour déterminer la longueur maximale de conduit utilisable.

Si la longueur du circuit est supérieure à la valeur spécifiée dans le tableau, on observera :

- Une réduction de la longévité de la sècheuse.
- Une réduction du rendement, avec temps de séchage plus longs et une plus grande consommation d'énergie.

3. Déterminer le nombre de coudes nécessaires.

IMPORTANT : Ne pas installer un conduit de longueur supérieure à la valeur spécifiée dans le tableau.

Le tableau suivant vous aide à déterminer la longueur maximale du conduit d'évacuation selon le nombre de changements de direction à 90° ou coudes dont vous aurez besoin et le type de conduit métallique (rigide ou souple) et de clapet que vous utiliserez.

Tableau de longueur du conduit d'évacuation

Nombre de changements de direction à 90° ou coudes	Type de conduit	Clapets de type boîte ou à persiennes	Clapets inclinés
0	Métallique rigide	64 pi (20 m)	58 pi (17,7 m)
	Métallique souple	36 pi (11 m)	28 pi (8,5 m)
1	Métallique rigide	54 pi (16,5 m)	48 pi (14,6 m)
	Métallique souple	31 pi (9,4 m)	23 pi (7 m)
2	Métallique rigide	44 pi (13,4 m)	38 pi (11,6 m)
	Métallique souple	27 pi (8,2 m)	19 pi (5,8 m)
3	Métallique rigide	35 pi (10,7 m)	29 pi (8,8 m)
	Métallique souple	25 pi (7,6 m)	17 pi (5,2 m)
4	Métallique rigide	27 pi (8,2 m)	21 pi (6,4 m)
	Métallique souple	23 pi (7 m)	15 pi (4,6 m)

REMARQUE : Les installations d'évacuation du conduit par le côté ou par le bas comportent un changement de direction à 90° à l'intérieur de la sècheuse. Pour établir la longueur maximale du conduit, ajouter un changement de direction à 90° au tableau.

Installation du conduit d'évacuation

1. (Facultatif) Porter des gants et des lunettes de sécurité.
2. Installer le clapet d'évacuation. Calfeutrer au pistolet l'ouverture murale à l'extérieur autour du clapet d'évacuation.
3. Raccorder le conduit d'évacuation au clapet. Le conduit doit être inséré à l'intérieur du clapet. Fixer ensemble le conduit et le clapet avec une bride de 4" (10,2 cm).
4. Acheminer le conduit d'évacuation jusqu'à l'emplacement de la sècheuse. Utiliser l'itinéraire le plus rectiligne possible. Voir "Détermination de la longueur du conduit". Éviter les changements de direction à 90°. Utiliser des brides pour sceller tous les joints. Ne pas utiliser de ruban adhésif pour conduit, des vis ou autres dispositifs de fixation qui se prolongent à l'intérieur du conduit pour fixer celui-ci.

Installation des pieds de nivellement

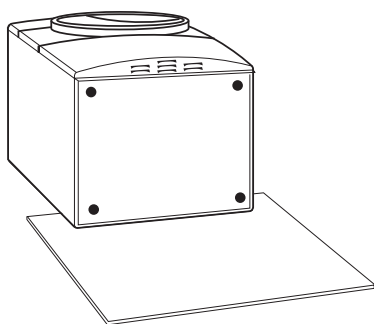
AVERTISSEMENT

Risque du poids excessif

Utiliser deux ou plus de personnes pour déplacer et installer la sècheuse.

Le non-respect de cette instruction peut causer une blessure au dos ou d'autre blessure.

1. Pour protéger le plancher, utiliser une grande pièce de carton de la boîte de la sècheuse. Placer la pièce de carton sous toute la longueur du bord arrière de la sècheuse. Voir l'illustration.
2. Saisir fermement la sècheuse par la caisse (et non par le tableau de console). Déposer délicatement la sècheuse sur le carton.



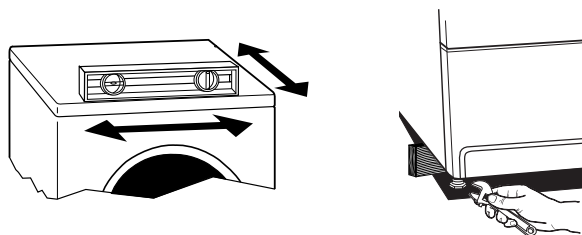
3. Examiner les pieds de nivellement. Trouver le symbole de repérage (losange).



4. Engager manuellement les vis des pieds dans les trous. Utiliser une clé à molette pour visser les pieds jusqu'à ce que le symbole de repérage (losange) ne soit plus visible.
5. Placer une cornière en carton sous chacun des deux coins arrière de la sècheuse. Placer la sècheuse debout. Glisser la sècheuse sur les cornières jusqu'à ce que l'appareil soit proche de son emplacement final. Laisser assez d'espace pour connecter le conduit d'évacuation.
6. Une fois la connexion faite et la sècheuse sur son emplacement final, enlever les cornières et le carton.

Mise à niveau de la sècheuse

Contrôler l'aplomb de la sècheuse. Contrôler l'aplomb tout d'abord transversalement, puis dans le sens avant/arrière.



Si la sècheuse n'est pas de niveau, la déposer sur un bloc de bois. Utiliser une clé à molette pour ajuster les pieds vers le haut ou vers le bas, et vérifier à nouveau si elle est de niveau.

REMARQUE : Il peut être nécessaire de remettre de niveau la sècheuse une fois qu'on l'installe à son emplacement définitif.

Conduit d'évacuation

1. À l'aide d'une bride de fixation de 4" (10,2 cm), relier le conduit d'évacuation à la bouche d'évacuation de la sècheuse. Si on utilise un système d'évacuation existant, s'assurer qu'il est propre. Le conduit d'évacuation de la sècheuse doit être fixé sur la bouche d'évacuation de la sècheuse et dans le clapet d'évacuation. S'assurer que le conduit d'évacuation est fixé au clapet d'évacuation à l'aide d'une bride de fixation de 4" (10,2 cm).
2. Placer la sècheuse à l'emplacement final désiré. Ne pas écraser ni déformer le conduit d'évacuation. Vérifier que la sècheuse est de niveau.
3. (Sur les modèles à gaz) Vérifier que le tuyau de gaz flexible n'est pas déformé ou écrasé.

Achever l'installation

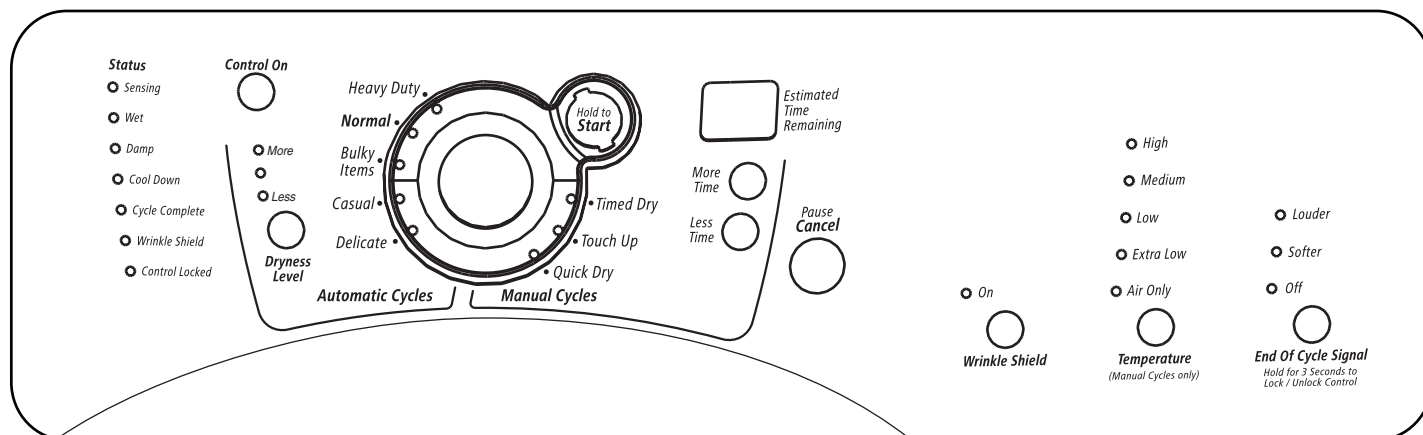
1. Vérifier que toutes les pièces sont installées. S'il reste une pièce, passer en revue les différentes étapes pour découvrir laquelle aurait été oubliée.
2. S'assurer d'avoir récupéré tout l'outillage.
3. Jeter tout le matériel d'emballage.
4. Vérifier l'emplacement définitif de la sècheuse. S'assurer que le conduit d'évacuation n'est pas écrasé ou déformé.
5. Vérifier que la sècheuse est de niveau. Voir "Mise à niveau de la sècheuse".
6. Brancher la sècheuse sur une prise reliée à la terre. Mettre le courant.
7. Retirer la pellicule de protection bleue sur le panneau de commande et le ruban resté sur la sècheuse.
8. Lire "Utilisation de la sècheuse".
9. Essuyer soigneusement le tambour de la sècheuse avec un chiffon humide pour éliminer toute trace de poussière.
10. Régler la sècheuse sur un programme de séchage complet (pas le programme de séchage sans chaleur) de 20 minutes et mettre la sècheuse en marche.

Si la sècheuse ne démarre pas, vérifier ce qui suit :

- Les commandes sont réglées à la position de marche ou "On".
 - Le bouton Start (mise en marche) a été enfoncé fermement.
 - La sècheuse est branchée sur une prise reliée à la terre.
 - L'alimentation électrique est connectée.
 - Les fusibles sont intacts et serrés, ou le disjoncteur n'est pas déclenché.
 - La porte de la sècheuse est fermée.
11. Après 5 minutes de fonctionnement, ouvrir la porte de la sècheuse et voir s'il y a de la chaleur.
- #### Si la sècheuse n'est pas chaude à l'intérieur, désactiver la sècheuse et vérifier ce qui suit :
- Il peut y avoir 2 fusibles ou disjoncteurs pour la sècheuse. Vérifier que les fusibles sont intacts et serrés ou que les deux disjoncteurs ne se sont pas déclenchés. S'il n'y a toujours pas de chaleur, contacter un technicien qualifié.

REMARQUE : Il est possible que la sècheuse dégage une odeur de brûlé lors du chauffage initial. Cette odeur est normale lorsque l'élément chauffant est utilisé pour la première fois. L'odeur disparaîtra.

UTILISATION DE LA SÈCHEUSE



Mise en marche de la sècheuse

⚠️ AVERTISSEMENT



Risque d'explosion

Garder les matières et les vapeurs inflammables, telle que l'essence, loin de la sècheuse.

Ne pas faire sécher un article qui a déjà été touché par un produit inflammable (même après un lavage).

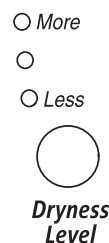
Le non-respect de ces instructions peut causer un décès, une explosion ou un incendie.

Les renseignements suivants vous guideront pour la mise en marche de votre sècheuse. Prière de consulter les sections spécifiques de ce manuel pour obtenir des renseignements plus détaillés.

1. Nettoyer le filtre à charpie avant ou après chaque programme. Voir "Nettoyage du filtre à charpie".
2. Charger les vêtements dans la sècheuse et fermer la porte. Voir "Chargement".
3. Tourner le cadran pour sélectionner un programme automatique ou manuel, puis appuyer sur le bouton CONTROL ON (mise en marche). Les réglages pré-réglés et la durée de séchage pour le programme choisi s'affichent.

Utilisation d'un programme automatique

- Pointer le cadran sur un programme automatique.
- Sélectionner DRYNESS LEVEL (niveau de séchage) pour régler le degré de séchage désiré. La durée affichée est la durée prévue du programme en fonction du degré de séchage sélectionné. Au cours du programme, la commande détecte le degré de séchage de la charge et règle la durée automatiquement selon le degré de séchage sélectionné.



⚠️ AVERTISSEMENT



Risque d'incendie

Aucune laveuse ne peut complètement enlever l'huile.

Ne pas faire sécher des articles qui ont été salis par tout genre d'huile (y compris les huiles de cuisson).

Les articles contenant mousse, caoutchouc ou plastique doivent être séchés sur une corde à linge ou par le programme de séchage à l'air.

Le non-respect de ces instructions peut causer un décès ou un incendie.

REMARQUE : La durée n'est pas réglable pour les programmes automatiques. Le fait d'appuyer sur les boutons More Time (plus de temps) ou Less Time (moins de temps) cause l'émission d'un triple bip indiquant que la durée ne peut être changée.

- Appuyer sur le bouton de la caractéristique WRINKLE SHIELD™ (anti-froissement) si cette option est désirée.
- Appuyer sur le bouton END OF CYCLE SIGNAL (signal de fin de programme) pour régler le volume du signal au niveau désiré.
- Appuyer (sans relâcher) sur le bouton HOLD TO START (Appuyer sans relâcher pour mettre en marche) jusqu'à ce que la sècheuse se mette en marche (environ 1 seconde).

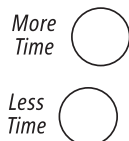
AVERTISSEMENT : Pour réduire le risque d'incendie, de choc électrique ou de blessures corporelles, lire les IMPORTANTES INSTRUCTIONS DE SÉCURITÉ avant de faire fonctionner cet appareil.

Lorsqu'un programme automatique a commencé, la caractéristique WRINKLE SHIELD™ (anti-froissement) et les signaux de programme peuvent être ajustés. Appuyer deux fois sur la touche PAUSE/CANCEL (pause/annulation) pour arrêter la sécheuse et annuler les réglages, ce qui permet de sélectionner un autre programme et un niveau de séchage.

Utilisation d'un programme manuel

- Tourner le cadran pour sélectionner un programme manuel.

Appuyer sur MORE TIME (plus de temps) ou LESS TIME (moins de temps) jusqu'à ce que la durée de séchage désirée s'affiche. Appuyer légèrement sur MORE TIME ou LESS TIME et la durée changera par tranche de 1 minute. Appuyer sans relâcher sur MORE TIME ou LESS TIME et la durée changera par tranche de 5 minutes. La durée initiale affichée est la durée de séchage réelle.



REMARQUE : La caractéristique More Time ou Less Time peut être utilisée seulement avec les programmes manuels.

- Appuyer sur TEMPERATURE (température) jusqu'à ce que la température désirée s'illumine.

REMARQUE : Le fait d'appuyer sur le bouton Dryness Level (degré de séchage) cause l'émission d'un triple bip indiquant que cette option n'est pas disponible. De plus, aucun degré de séchage n'est indiqué.

- Appuyer sur le bouton de la caractéristique WRINKLE SHIELD™ (anti-froissement) si cette option est désirée.
- Appuyer sur le bouton END OF CYCLE SIGNAL (signal de fin de programme) pour régler le volume au niveau désiré.
- Appuyer (sans relâcher) sur le bouton HOLD TO START (Appuyer sans relâcher pour mettre en marche) jusqu'à ce que la sécheuse se mette en marche (environ 1 seconde).

Durant le fonctionnement d'un programme manuel, on peut changer les réglages de durée, de température, de la caractéristique WRINKLE SHIELD™ et des signaux de programme. Appuyer deux fois sur la touche PAUSE/CANCEL (pause/annulation) pour arrêter la sécheuse et annuler les réglages, ce qui permet de sélectionner un autre programme.

Arrêt de la sécheuse

Pour arrêter la sécheuse à n'importe quel moment

Appuyer sur PAUSE/CANCEL (pause/annulation) deux fois ou ouvrir la porte.

Arrêt ou remise en marche

Pour faire une pause de la sécheuse à n'importe quel moment

Ouvrir la porte ou appuyer sur PAUSE/CANCEL (pause/annulation) une fois.

Pour remettre la sécheuse en marche

Fermer la porte et appuyer (sans relâcher) sur le bouton HOLD TO START jusqu'à ce que la sécheuse se mette en marche.

REMARQUE : Le séchage continuera à partir de là où le programme a été interrompu si on referme la porte et appuie sur Start dans les 5 minutes qui suivent. Si le programme est interrompu pendant plus de 5 minutes, la sécheuse s'arrête. Sélectionner les nouveaux réglages de programme avant de remettre la sécheuse en marche.

Verrouillage des commandes

Cette caractéristique permet de verrouiller les réglages et d'empêcher l'utilisation non intentionnelle de la sécheuse. On peut aussi utiliser la caractéristique de verrouillage des commandes pour empêcher des changements non intentionnels de programme ou d'option durant le fonctionnement de la sécheuse.

Pour activer la caractéristique Verrouillage des commandes lorsque la sécheuse est en marche :

Appuyer sur le bouton END OF CYCLE SIGNAL (signal de fin de programme) pendant trois secondes. La commande est verrouillée lorsqu'un bip unique se fait entendre et que le témoin de verrouillage est allumé.

- Lorsque la sécheuse est éteinte, il n'est pas nécessaire d'appuyer sur le bouton Control On avant d'activer la caractéristique de verrouillage des commandes.

Pour déverrouiller :

Appuyer sur le bouton END OF CYCLE SIGNAL pendant trois secondes pour annuler cette caractéristique.

REMARQUE : Lorsque la sécheuse fonctionne et que le verrouillage des commandes est activé, il est possible d'arrêter la sécheuse en appuyant sur le bouton Pause/Cancel (pause/annulation), mais elle ne peut être remise en marche tant que la commande n'est pas déverrouillée.

Chargement

Le chargement approprié de votre sécheuse peut faire diminuer vos frais de services publics et prolonger la durée de vos vêtements.

Suggestions de chargement

- Charger la sécheuse selon le volume d'espace qu'exigent les articles, et non pas selon leur poids.
- Ne pas trop charger la sécheuse. Un chargement excessif entraîne un séchage médiocre et des faux plis.

Sécheuses de super capacité plus

Vêtements de travail lourds

4 jeans	2 survêtements (bas)
4 pantalons de travail	2 survêtements (haut)
4 chemises de travail	

Serviettes

10 serviettes de bain	14 débarbouillettes
10 serviettes à main	

Charge mixte

3 draps (1 très grand, 2 simples)	9 tee-shirts
4 taies d'oreiller	9 shorts
3 chemises	10 mouchoirs
3 chemisiers	

Conseils pour le séchage et les programmes

Choisir le programme et le niveau de séchage ou la température corrects pour votre charge. Si un programme automatique est exécuté, l'affichage montre le temps estimé du programme lorsque votre sècheuse détecte automatiquement le niveau de séchage de votre charge. Si un programme manuel est exécuté, l'affichage montre le nombre exact de minutes qui restent dans le programme.

La période Cool Down (refroidissement) fait culbuter la charge sans chaleur au cours des quelques dernières minutes de tous les programmes. La période de refroidissement rend plus facile la manutention des charges et réduit le froissement. La durée de la période de refroidissement dépend de la taille de la charge et du niveau de séchage.

Conseils de séchage

- Suivre les directives sur l'étiquette lorsqu'elles sont disponibles.
- Ajouter une feuille d'assouplissant de tissus, si désiré. Suivre les instructions sur l'emballage.
- Retirer la charge de la sècheuse aussitôt que le culbutage cesse pour réduire le froissement. Cette action est particulièrement importante pour les tissus à pressage permanent, tricotés et tissus synthétiques.
- Éviter de faire sécher des vêtements de travail lourds avec des tissus plus légers. Cette action pourrait causer un séchage excessif des tissus légers, contribuant à un rétrécissement ou à un froissement plus prononcé.
- Si vous séchez des draps dans une charge mixte ou des articles de grande taille au programme Bulky Items (articles encombrants), réarranger la charge au milieu du programme de séchage. Ceci aidera les articles à mieux sécher.

Conseils pour les programmes

- Faire sécher la plupart des charges en utilisant les réglages de programmes pré-réglés.
- Se référer aux tableaux de Réglages de programmes automatiques pré-réglés ou Réglages de programmes manuels pré-réglés (dans la section "Programmes") pour des directives en fonction du séchage de diverses charges.
 - La température de séchage et le niveau de séchage sont pré-réglés lorsqu'on choisit un programme automatique. On peut choisir un niveau différent de séchage, selon la charge en appuyant sur le bouton DRYNESS LEVEL (niveau de séchage) pour choisir MORE (plus) ou LESS (moins).
 - Si vous désirez ajuster la durée du programme d'un programme manuel, vous devez appuyer sur MORE TIME (plus de temps) ou LESS TIME (moins de temps). Ajuster la température du programme manuel en appuyant sur TEMPERATURE (température) jusqu'à ce que la température désirée soit choisie.

REMARQUE : On ne peut pas choisir un niveau de séchage avec les programmes manuels.

Témoins lumineux

On peut suivre le progrès de la sècheuse avec les témoins indicateurs du degré de séchage.

Status

- Sensing
- Wet
- Damp
- Cool Down
- Cycle Complete
- Wrinkle Shield
- Control Locked

Sensing (détection)

Lors de la mise en marche initiale de la sècheuse, le témoin SENSING s'allume jusqu'à la détection d'un article mouillé.

- Dans un programme automatique, si un article mouillé n'a pas été détecté en deçà de 10 minutes, le témoin Sensing s'éteint et la sècheuse s'arrête.
- Dans un programme manuel, si un article mouillé n'a pas été détecté au bout de 10 minutes, le témoin Wet (mouillé) s'allume et le programme sélectionné continue.

Wet (mouillé)

Le témoin WET s'allume lorsqu'un article mouillé a été détecté dans la sècheuse. Le témoin Wet reste allumé jusqu'à ce que :

- Le point de séchage humide soit atteint dans un programme automatique.
- La sècheuse commence la période de refroidissement dans un programme manuel.

Damp (humide)

Le témoin DAMP indique que la charge a atteint le degré de séchage humide.

REMARQUE : Le témoin Damp n'est pas utilisé avec les programmes manuels.

Cool Down (refroidissement)

Le témoin COOL DOWN s'allume pendant la période de refroidissement du programme. La charge se refroidit pour en faciliter la manipulation.

Cycle Complete (programme terminé)

Ce témoin s'allume lorsqu'un programme de séchage est terminé. Si la caractéristique WRINKLE SHIELD™ (anti-froissement) a été sélectionnée, le témoin WRINKLE SHIELD™ s'allume également.

Le témoin Cycle Complete s'éteint une heure après la fin d'un programme de séchage (y compris le programme WRINKLE SHIELD™ de 2 heures), lorsqu'on appuie sur Pause/Cancel (pause/annulation) ou lorsque la porte est ouverte.

WRINKLE SHIELD™ (caractéristique antifroissement)

Le témoin de la caractéristique WRINKLE SHIELD™ s'allume lorsque cette option est sélectionnée. Cet indicateur reste allumé avec le témoin Cycle Complete.

Control Locked (verrouillage des commandes)

Le témoin CONTROL LOCKED s'allume lorsque cette option est activée.

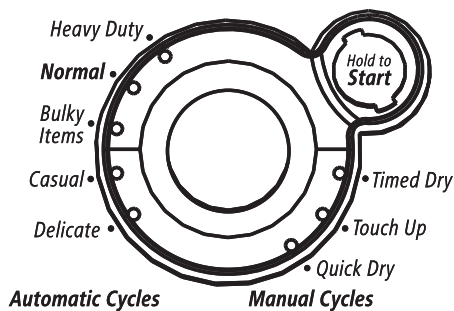
Témoins lumineux

D'autres témoins lumineux sur le tableau de commande indiquent les réglages de programmes, de température et de fin de programme sélectionnés.

La durée affichée indique la durée résiduelle estimative ou réelle dans un programme.

Programmes

Sélectionner le programme de séchage qui correspond au type de charge à sécher (voir les tableaux Réglages des programmes automatiques pré-réglés ou Réglages des programmes manuels pré-réglés).



Bouton de commande des programmes

Programmes automatiques

Les programmes automatiques permettent d'assortir le programme à la charge à sécher. Voir le tableau suivant "Réglages des programmes automatiques pré-réglés". Chaque programme sèche certains tissus à la température recommandée. Un capteur détecte l'humidité de la charge et règle automatiquement la durée pour un séchage optimal.

Heavy Duty (tissus robustes)

Utiliser ce programme pour le séchage à chaleur élevée des tissus épais tels que les serviettes ou couvre-lits en coton.

Normal

Utiliser ce programme pour le séchage à température moyenne des tissus robustes tels que les vêtements de travail.

Bulky Items (articles encombrants)

Utiliser ce programme pour le séchage à chaleur moyenne des articles de grande taille qui nécessitent des temps de séchage très longs, tels que les vestes, les couettes et les oreillers. Réarranger la charge au milieu du programme de séchage. Ceci aidera les articles à mieux sécher.

Casual (tout-aller)

Utiliser ce programme pour le séchage à température basse des tissus sans repassage tels que les chemises sport, les vêtements de travail tout-aller et les mélanges de tissus à pressage permanent.

Delicate (tissus délicats)

Utiliser ce programme pour le séchage à température extra basse des articles tels que lingerie et tricotables lavables.

Réglages des programmes automatiques pré-réglés

Programmes automatiques Type de charge	Temp.	Durée* (Minutes)
HEAVY DUTY (tissus robustes) Articles lourds, serviettes	Élevée	40
NORMAL Velours côtelé, vêtements de travail	Moyenne	34
BULKY ITEMS (articles encombrants) Vestes, couettes, oreillers	Moyenne	64
CASUAL (tout-aller) Pressage permanent, synthétiques	Basse	36
DELICATE (tissus délicats) Lingerie, chemisiers, lainages lavables	Extra basse	22

*Durée prévue avec réglage de niveau de séchage (moyen). La durée varie en fonction du type de charge et de la quantité de linge.

Programmes manuels

Utiliser les programmes manuels pour sélectionner une durée de séchage précise et une température de séchage. Lors de la sélection d'un programme manuel, l'affichage de ESTIMATED TIME REMAINING (durée prévue résiduelle) montre la durée résiduelle réelle du programme. Il est possible de modifier la durée du programme en appuyant sur MORE TIME (plus de temps) ou LESS TIME (moins de temps).

Timed Dry (séchage minuté)

Utiliser ce programme pour compléter le séchage si des articles sont encore humides après un programme automatique. Le séchage minuté est également utile pour le séchage d'articles lourds et encombrants tels que les couvre-lits et vêtements de travail. Les vêtements légers, tels que les vêtements de gymnastique, peuvent être séchés en utilisant le séchage minuté au réglage de température basse.

Touch Up (rafraîchissement)

Utiliser ce réglage pour éliminer les faux plis des articles tels que les vêtements qui ont séjourné dans une valise ou les articles qui sont restés trop longtemps dans la sècheuse à l'arrêt.

Quick Dry (séchage rapide)

Utiliser ce programme pour sécher les petites charges ou les articles qui requièrent un temps de séchage court.

Réglages des programmes manuels pré-réglés

Programmes manuels Type de charge	Température	Durée réglée (Minutes)
TIMED DRY (séchage minuté) Articles lourds et encombrants, couvre-lits, vêtements de travail	Élevée	40
TOUCH UP (rafraîchissement) Enlève les faux plis	Moyenne	20
QUICK DRY (séchage rapide) Petites charges	Élevée	23

Caractéristiques supplémentaires

WRINKLE SHIELD™ (caractéristique antifroissement)


Lorsqu'on ne peut pas enlever une charge de la sècheuse dès qu'elle s'arrête, des faux plis peuvent se former. La caractéristique WRINKLE SHIELD™ fournit un culbutage à intervalles, réarrange et aère les charges pour éviter les faux plis.

- Appuyer sur la caractéristique WRINKLE SHIELD™ pour obtenir jusqu'à 120 minutes de culbutage périodique sans chaleur à la fin du programme.
- Arrêter le programme à tout moment en appuyant sur WRINKLE SHIELD™ ou en ouvrant la porte de la sècheuse.
- Pour le programme Casual (tout-aller), la caractéristique WRINKLE SHIELD™ est pré-réglée à "On" (marche). Les autres programmes automatiques conservent le réglage de la caractéristique WRINKLE SHIELD™. (Par exemple, si on sélectionne la caractéristique WRINKLE SHIELD™ dans le programme Normal, elle sera activée la prochaine fois que ce programme sera sélectionné.)

REMARQUE : Lorsqu'on ne choisit pas la caractéristique WRINKLE SHIELD™, la sècheuse s'arrête après la période de refroidissement.

Temperature (température)

Les réglages de température sont utilisés avec les programmes manuels. Appuyer sur TEMPERATURE jusqu'à ce que le réglage de température désiré s'illumine. Les réglages de température ne peuvent pas être utilisés avec les programmes automatiques.

- High
 - Medium
 - Low
 - Extra Low
 - Air Only
- 
- Temperature**
(Manual Cycles only)

Air Only (Air seulement)

Utiliser le réglage Air seulement pour les articles qui doivent être séchés sans chaleur, tels que le caoutchouc, le plastique et les tissus sensibles à la chaleur. Ce tableau donne des exemples d'articles qui peuvent être séchés au réglage Air seulement.

Type de charge	Durée* (Minutes)
Caoutchouc mousse – oreillers, soutiens-gorge rembourrés, jouets rembourrés	20 - 30
Plastique – rideaux de douche, nappes	20 - 30
Tapis à endos de caoutchouc	40 - 50
Plastique oléfinique, polypropylène, nylon diaphane	10 - 20

*Régler de nouveau la durée pour compléter le séchage, si nécessaire.

Utilisation du réglage Air seulement

- Vérifier que les recouvrements sont bien cousus.
- Secouer et faire bouffer les oreillers à la main périodiquement pendant le programme.
- Sécher l'article complètement. Les oreillers en caoutchouc mousse sont lents à sécher.

REMARQUE : Les programmes automatiques ne sont pas disponibles lors de l'utilisation du réglage Air seulement.

End of Cycle Signal (signal de fin de programme)

La sècheuse émet un signal sonore qui indique la fin du programme. Sortir rapidement les vêtements à la fin du programme réduit le froissement.

Louder

Softer

Off



End Of Cycle Signal

Hold for 3 Seconds to
Lock / Unlock Control

Appuyer momentanément sur END OF CYCLE SIGNAL pour régler la sonorité ou désactiver le signal.

REMARQUE : Lorsqu'on choisit WRINKLE SHIELD™ et que le signal de fin de programme est activé, un signal sonore se fait entendre à intervalles de cinq minutes jusqu'à ce qu'on sorte les vêtements de la sècheuse, ou jusqu'à ce que le programme WRINKLE SHIELD™ soit terminé.

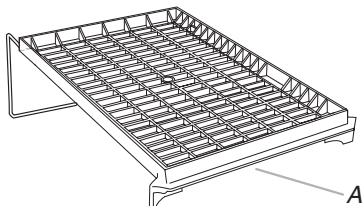
Grille de séchage

La grille de séchage est utile pour sécher les articles que l'on ne ferait pas nécessairement sécher par culbutage ou que l'on ferait normalement sécher sur une corde à linge (par exemple, les chandails).

Utilisation de la grille de séchage

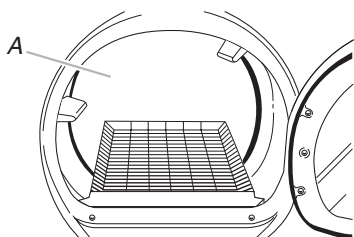
Ne pas retirer le filtre à charpie.

1. Ouvrir la porte de la sècheuse.



A. Bord avant

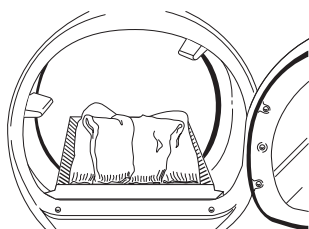
2. Placer la grille de séchage dans le tambour de la sècheuse en positionnant la broche arrière sur le rebord du panneau interne arrière de la sècheuse. Baisser le bord avant de la grille de séchage pour bien la fixer par-dessus le filtre à charpie.



A. Panneau arrière de la sècheuse

3. Placer les articles mouillés sur la grille de séchage. Laisser de l'espace entre les articles pour que l'air puisse atteindre toutes les surfaces.

REMARQUE : Ne pas laisser un article pendre par-dessus le bord de la grille.



4. Fermer la porte.
5. Sélectionner un programme de séchage minuté et une température ou un programme de séchage à l'air (voir tableau suivant). Les articles contenant de la mousse, du caoutchouc ou du plastique doivent être séchés sur une corde à linge ou au moyen du réglage de séchage à l'air seulement.

6. Il faut sélectionner une durée de séchage en appuyant sur MORE TIME (plus de temps) ou LESS TIME (moins de temps.) Régler de nouveau la durée au besoin pour compléter le séchage. Se référer au tableau suivant.
7. Appuyer environ 1 seconde sur le bouton HOLD TO START (appuyer sans relâcher pour mettre en marche).

REMARQUE : Vous devez enlever la grille pour le culbutage normal. Ne pas utiliser les programmes automatiques avec la grille de séchage.

Ce tableau montre des exemples d'articles qui peuvent être séchés sur une grille et indique le programme, le réglage de température et la durée de séchage suggérés. La durée de séchage réelle dépendra du degré d'humidité retenue dans les articles.

Séchage sur grille (Rack Dry)	Réglage	Temp.	Durée*
Chandails en laine Étirer à la taille normale et étaler à plat sur la grille.	Séchage minuté	Basse	60
Jouets rembourrés ou oreillers Rembourrage de coton ou de polyester	Séchage minuté	Basse	60
Jouets rembourrés ou oreillers Rembourrage en caoutchouc mousse	N/A	Air seulement (sans chaleur)	90
Chaussures de tennis ou de toile	N/A	Air seulement (sans chaleur)	90

*(Minutes) Régler de nouveau la durée pour compléter le séchage, si nécessaire.

ENTRETIEN DE LA SÈCHEUSE

Nettoyage de l'emplacement de la sècheuse

Éviter de laisser des éléments qui pourraient obstruer le débit de combustion et empêcher une bonne ventilation autour de la sècheuse.

⚠ AVERTISSEMENT



Risque d'explosion

Garder les matières et les vapeurs inflammables, telle que l'essence, loin de la sècheuse.

Placer la sècheuse au moins 46 cm (18 po) au-dessus du plancher pour une installation dans un garage.

Le non-respect de ces instructions peut causer un décès, une explosion ou un incendie.

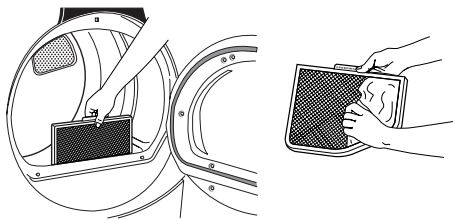
Nettoyage du filtre à charpie

Nettoyage à chaque charge

Le filtre à charpie se trouve dans la porte de la sècheuse. Le nettoyer avant ou après chaque charge. Un filtre obstrué de charpie peut augmenter le temps de séchage.

Nettoyage

1. Enlever le filtre à charpie en le tirant directement vers le haut. Enlever la charpie du filtre en la roulant avec les doigts. Ne pas rincer ni laver le filtre pour enlever la charpie. La charpie mouillée s'enlève difficilement.



2. Remettre le filtre à charpie fermement en place.

IMPORTANT :

- Ne pas faire fonctionner la sècheuse avec un filtre à charpie déplacé, endommagé, bloqué ou manquant. Une telle action peut causer un échauffement ou des dommages pour la sècheuse et les tissus.
- Certaines serviettes en fibres synthétiques et en fibres naturelles (mélange de polyester et de coton) peuvent produire plus de charpie que les autres serviettes, de telle sorte que le filtre à charpie de la sècheuse se remplit plus rapidement. Veiller à enlever la charpie du filtre avant et après le séchage des serviettes neuves.
- Si de la charpie tombe dans la sècheuse au moment du retrait du filtre, vérifier le conduit d'évacuation et retirer la charpie. Voir "Exigences concernant l'évacuation".

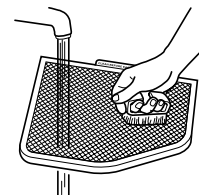
Nettoyage au besoin

Les détergents et les assouplissants de tissu peuvent causer une accumulation de résidus sur le filtre à charpie. Cette accumulation peut augmenter les temps de séchage ou entraîner un arrêt de la sècheuse avant que la charge soit sèche. Si de la charpie tombe du filtre, le filtre est probablement encrassé.

Nettoyer le filtre à charpie avec une brosse en nylon tous les 6 mois ou plus fréquemment s'il devient obstrué par suite d'une accumulation de résidus.

Lavage

1. Enlever la charpie du filtre en la roulant avec les doigts.
2. Mouiller les deux côtés du filtre à charpie avec de l'eau chaude.
3. Mouiller une brosse en nylon avec de l'eau chaude et du détergent liquide; frotter le filtre avec la brosse pour enlever l'accumulation de résidus.



4. Rincer le filtre à l'eau chaude.
5. Bien sécher le filtre à charpie avec une serviette propre. Replacer le filtre dans la sècheuse.

Nettoyage de l'intérieur de la sècheuse

Nettoyage du tambour de la sècheuse

1. Préparer une pâte avec un détergent à lessive en poudre et de l'eau très chaude.
2. Appliquer la pâte sur un linge doux.

OU

Verser un nettoyant liquide domestique ininflammable sur la surface tachée et frotter avec un linge doux jusqu'à ce que toute la teinture et les taches soient enlevées.

3. Essuyer complètement le tambour avec un linge humide.
4. Faire culbuter une charge de linge ou de serviettes propres pour sécher le tambour.

REMARQUE : Les vêtements contenant des teintures instables, tels que jeans en denim ou articles en coton de couleur, peuvent décolorer l'intérieur de la sècheuse. Ces taches ne sont pas nuisibles à votre sècheuse et ne tacheront pas les vêtements dans les charges futures. Faire sécher les articles fabriqués d'une teinture instable en les tournant à l'envers pour empêcher le transfert de la teinture.

Retrait de la charpie accumulée

Dans la caisse de la sècheuse

Il faut retirer la charpie accumulée dans la caisse de la sècheuse tous les 2 ans ou plus souvent, selon l'utilisation de la sècheuse. Le nettoyage devrait être fait par une personne qualifiée.

Dans le conduit d'évacuation

La charpie devrait être nettoyée tous les 2 ans ou plus souvent, selon l'utilisation de la sècheuse.

Précautions à prendre pour les vacances et avant un déménagement

Période de vacances

On ne doit faire fonctionner la sècheuse que lorsqu'on est présent sur place. Si l'utilisateur doit partir en vacances ou n'utilise pas la sècheuse pendant une période prolongée, il convient d'exécuter les opérations suivantes :

1. Débrancher la sècheuse ou déconnecter la source de courant électrique.
2. Nettoyer le filtre à charpie. Voir "Nettoyage du filtre à charpie".

Précautions à prendre avant un déménagement

AVERTISSEMENT



Risque de choc électrique

Déconnecter la source de courant électrique avant l'entretien.

Replacer pièces et panneaux avant de faire la remise en marche.

Le non-respect de ces instructions peut causer un décès ou un choc électrique.

1. Débrancher la sècheuse ou déconnecter la source de courant électrique.
 2. Veiller à ce que les pieds de nivellement soient fixés solidement à la base de la sècheuse.
 3. Utiliser du ruban masque pour fixer la porte de la sècheuse.
-

Changement de l'ampoule d'éclairage du tambour

La lumière de la sècheuse s'allume automatiquement à l'intérieur du tambour lorsqu'on ouvre la porte.

Changement de l'ampoule du tambour

1. Débrancher la sècheuse ou déconnecter la source de courant électrique.
2. Ouvrir la porte de la sècheuse. Trouver le couvercle de l'ampoule d'éclairage sur la paroi arrière de la sècheuse. Enlever la vis située au coin inférieur droit du couvercle. Enlever le couvercle.
3. Tourner l'ampoule dans le sens antihoraire. Remplacer l'ampoule seulement par une ampoule de 10 watts pour appareil électroménager. Réinstaller le couvercle et le fixer avec la vis.
4. Brancher la sècheuse ou reconnecter la source de courant électrique.

DÉPANNAGE

Essayer d'abord les solutions suggérées ici; elles pourraient vous éviter le coût d'une visite de service...

La sècheuse affiche un message codé

- **“PF” (panne de courant), vérifier ce qui suit :**
Le programme de séchage a-t-il été interrompu par une panne de courant?
Appuyer (sans relâcher) sur HOLD TO START (appuyer sans relâcher pour mettre en marche) pour remettre la sècheuse en marche.
Codes de service “E” variables (E1, E2, E3) :
Faire un appel de service.
-

Séchage insatisfaisant des vêtements

- **Vérifier ce qui suit :**
Le filtre à charpie est-il obstrué de charpie?
Le conduit ou la hotte d'évacuation à l'extérieur sont-ils obstrués de charpie qui restreint le mouvement de l'air? Faire fonctionner la sècheuse pendant 5 à 10 minutes. Tenir la main sous la hotte d'évacuation à l'extérieur pour vérifier le déplacement de l'air. Si on ne sent pas de déplacement d'air, enlever la charpie du système d'évacuation ou remplacer le conduit d'évacuation par un conduit métallique rigide ou métal souple. Voir les “Instructions d'installation”.
Le conduit d'évacuation est-il écrasé ou déformé? Le remplacer par un conduit en métal lourd ou en métal souple. Voir les “Instructions d'installation”.
Un fusible est-il grillé ou un disjoncteur s'est-il ouvert? Les sècheuses électriques emploient 2 fusibles ou disjoncteurs. Le tambour peut tourner, mais il n'y a pas de chaleur.
A-t-on choisi un programme de séchage à l'air? Choisir le bon programme pour le type de vêtements à faire sécher. Voir “Programmes”.
Le programme automatique se termine-t-il trop tôt? La charge n'entre peut-être pas en contact avec les bandelettes à détecteur électronique. Mettre la sècheuse d'aplomb.
Des feuilles d'assouplissant de tissu bloquent-elles la grille? N'utiliser qu'une seule feuille d'assouplissant et ne l'utiliser qu'une seule fois.
- **La sècheuse se trouve-t-elle dans une pièce où la température ambiante est inférieure à 45°F (7°C)?**
Le bon fonctionnement des programmes de la sècheuse nécessite une température ambiante supérieure à 45°F (7°C).
- **A-t-on utilisé un rinçage à l'eau froide? La charge était-elle très mouillée?**
Prévoir des durées de séchage plus longues avec les articles rincés à l'eau froide et ceux qui retiennent l'humidité (cotons).
- **La charge est-elle trop considérable ou trop lourde pour un séchage rapide?**
Séparer la charge pour que les vêtements culbutent librement.

La sècheuse ne fonctionne pas

- **Vérifier ce qui suit :**
Le cordon d'alimentation est-il branché?
Un fusible est-il grillé ou un disjoncteur s'est-il ouvert?
Utilise-t-on un fusible régulier? Utiliser un fusible temporisé.
La porte de la sècheuse est-elle bien fermée? Si non, l'affichage de la durée clignotera.
A-t-on appuyé fermement sur HOLD TO START pendant au moins 1 seconde?
A-t-on choisi un programme?
-

Sons inhabituels

- **La sècheuse est-elle restée hors service pendant un certain temps?**
Si la sècheuse n'a pas été utilisée pendant un certain temps, il est possible qu'on entende un bruit de cognement au cours des premières minutes de fonctionnement.
-

Charpie sur la charge

- **Le filtre à charpie est-il obstrué?**
Nettoyer le filtre à charpie. Vérifier la circulation de l'air.
 - **La charge est-elle bien triée?**
Trier le linge qui produit de la charpie (serviettes, chenille) du linge qui en recueille (velours côtelé, tissus synthétiques). Trier aussi les couleurs.
 - **La charge est-elle trop considérable ou trop lourde?**
Faire sécher des charges plus petites de telle sorte que la charpie soit dirigée vers le filtre à charpie.
 - **La charge a-t-elle été séchée à l'excès?**
Choisir le bon réglage de séchage pour le type de charge. Voir “Programmes”. Un séchage excessif peut provoquer de l'électricité statique, attirant la charpie.
 - **A-t-on laissé du papier ou des mouchoirs en papier dans les poches?**
 - **Prend-on le boulochage pour de la charpie?**
Le boulochage (surface boulochée) est causé par l'usure normale et le lavage.
-

Présence de taches sur les vêtements ou décoloration

- **L'assouplissant de tissu pour sècheuse a-t-il été utilisé de façon appropriée?**
Ajouter les feuilles d'assouplissant de tissu pour sècheuse au début du programme lorsque le linge est encore froid. Ne pas ajouter de feuilles d'assouplissant de tissu à une charge chaude.
- **A-t-on placé des articles sales dans la sècheuse?**
Les articles doivent être lavés avant d'être séchés.
- **Les articles ont-ils été triés correctement?**
Séparer les articles de couleur pâle des articles de couleur foncée. Trier les couleurs grand teint des couleurs qui déteignent.

Rétrécissement des articles

- **La sècheuse a-t-elle été surchargée?**
Faire sécher de plus petites charges qui peuvent culbuter librement.
- **Le linge a-t-il été séché à l'excès?**
Vérifier l'étiquette d'entretien des vêtements du fabricant. Faire correspondre le réglage de la sècheuse au type de charge. Voir "Programmes".

Linge froissé

- **A-t-on sorti le linge de la sècheuse dès la fin du programme?**
- **La sècheuse a-t-elle été surchargée?**
Faire sécher de plus petites charges qui peuvent culbuter librement.
- **Le linge a-t-il été séché à l'excès?**
Vérifier l'étiquette d'entretien des vêtements du fabricant. Faire correspondre le réglage de la sècheuse au type de charge. Voir "Programmes".

Odeurs

- **A-t-on récemment utilisé de la peinture, de la teinture ou du vernis dans la pièce où se trouve la sècheuse?**
Si c'est le cas, aérer la pièce. Une fois les odeurs ou émanations disparues, laver et sécher à nouveau les vêtements.
- **La sècheuse est-elle utilisée pour la première fois?**
L'élément de chauffage électrique neuf peut produire une certaine odeur. L'odeur disparaîtra après le premier programme.

Vêtements endommagés

- **Vérifier ce qui suit :**
Les fermetures à glissière, les boutons pression et les agrafes ont-ils été laissés ouverts?

A-t-on attaché les cordons et ceintures écharpes pour éviter qu'ils ne s'em mêlent?

A-t-on suivi les instructions d'entretien des vêtements sur l'étiquette du fabricant?

Les articles ont-ils été endommagés avant le séchage?

ASSISTANCE OU SERVICE

Avant de faire un appel pour assistance ou service, veuillez vérifier la section "Dépannage". Cette vérification peut vous faire économiser le coût d'une visite de réparation. Si vous avez encore besoin d'aide, suivre les instructions ci-dessous.

Lors d'un appel, veuillez connaître la date d'achat et les numéros au complet de modèle et de série de votre appareil. Ces renseignements nous aideront à mieux répondre à votre demande.

Si vous avez besoin de pièces de rechange

Si vous avez besoin de commander des pièces de rechange, nous vous recommandons d'utiliser seulement les pièces d'origine FSP®. Ces pièces de rechange conviendront et fonctionneront bien parce qu'elles sont fabriquées selon les mêmes spécifications précises utilisées pour construire chaque nouvel appareil WHIRLPOOL®.

Pour trouver des pièces d'origine FSP dans votre région :

Composez le **1-800-807-6777**, ou téléphonez à votre Centre de service désigné le plus proche.

Pour l'assistance

Téléphonez sans frais au Centre d'interaction avec la clientèle de Whirlpool Canada Inc. au : **1-800-461-5681** du lundi au vendredi - de 8 h 00 à 18 h 00 (HNE). Samedi - de 8 h 30 à 16 h 30 (HNE).

Nos consultants fournissent de l'assistance pour :

- Caractéristiques et spécifications de notre gamme complète d'appareils électroménagers.
- Références aux concessionnaires locaux.

Pour le service

Composez le **1-800-807-6777**. Les techniciens de service désignés par Whirlpool Canada Inc. sont formés pour remplir la garantie des produits et fournir un service après la garantie partout au Canada.

Pour plus d'assistance

Si vous avez besoin de plus d'assistance, vous pouvez écrire à Whirlpool Canada Inc. en soumettant toute question ou tout problème à :

Centre d'interaction avec la clientèle
Whirlpool Canada Inc.
1901 Minnesota Court
Mississauga, Ontario L5N 3A7

Dans votre correspondance, veuillez indiquer un numéro de téléphone où on peut vous joindre dans la journée.

GARANTIE DES GROS APPAREILS MÉNAGERS WHIRLPOOL CORPORATION

GARANTIE LIMITÉE DE UN AN

Pendant un an à compter de la date d'achat, lorsque ce gros appareil ménager est utilisé et entretenu conformément aux instructions jointes à ou fournies avec le produit, Whirlpool Corporation ou Whirlpool Canada LP (ci-après désignées "Whirlpool") paiera pour les pièces de rechange FSP® et la main-d'œuvre pour corriger les vices de matériaux ou de fabrication. Le service doit être fourni par une compagnie de service désignée par Whirlpool.

WHIRLPOOL NE PRENDRA PAS EN CHARGE

1. Les visites de service pour rectifier l'installation du gros appareil ménager, montrer à l'utilisateur comment utiliser l'appareil, remplacer ou réparer des fusibles ou rectifier le câblage ou la plomberie du domicile.
 2. Les visites de service pour réparer ou remplacer les ampoules électriques de l'appareil, les filtres à air ou les filtres à eau. Ces pièces consommables ne sont pas couvertes par la garantie.
 3. Les réparations lorsque le gros appareil ménager est utilisé à des fins autres que l'usage unifamilial normal.
 4. Les dommages imputables à : accident, modification, usage impropre ou abusif, incendie, inondation, actes de Dieu, installation fautive ou installation non conforme aux codes d'électricité ou de plomberie, ou l'utilisation de produits non approuvés par Whirlpool.
 5. Toute perte d'aliments due à une défaillance du réfrigérateur ou du congélateur.
 6. Le coût des pièces de rechange et de la main-d'œuvre pour les appareils utilisés hors des États-Unis ou du Canada.
 7. Le ramassage et la livraison. Ce gros appareil ménager est conçu pour être réparé à domicile.
 8. Les réparations aux pièces ou systèmes résultant d'une modification non autorisée faite à l'appareil.
 9. Les frais de transport pour le service d'un produit dans les régions éloignées.
 10. La dépose et la réinstallation de votre appareil si celui-ci est installé dans un endroit inaccessible ou n'est pas installé conformément aux instructions d'installation fournies.
-

CLAUSE D'EXONÉRATION DE RESPONSABILITÉ AU TITRE DES GARANTIES IMPLICITES; LIMITATION DES RECOURS

LE SEUL ET EXCLUSIF RECOURS DU CLIENT DANS LE CADRE DE LA PRÉSENTE GARANTIE LIMITÉE CONSISTE EN LA RÉPARATION PRÉVUE CI-DESSUS. LES GARANTIES IMPLICITES, Y COMPRIS LES GARANTIES APPLICABLES DE QUALITÉ MARCHANDE ET D'APTITUDE À UN USAGE PARTICULIER, SONT LIMITÉES À UN AN OU À LA PLUS COURTE PÉRIODE AUTORISÉE PAR LA LOI. WHIRLPOOL N'ASSUME AUCUNE RESPONSABILITÉ POUR LES DOMMAGES FORTUITS OU INDIRECTS. CERTAINES JURIDICTIONS NE PERMETTENT PAS L'EXCLUSION OU LA LIMITATION DES DOMMAGES FORTUITS OU INDIRECTS, OU LES LIMITATIONS DE LA DURÉE DES GARANTIES IMPLICITES DE QUALITÉ MARCHANDE OU D'APTITUDE À UN USAGE PARTICULIER, DE SORTE QUE CES EXCLUSIONS OU LIMITATIONS PEUVENT NE PAS S'APPLIQUER DANS VOTRE CAS. CETTE GARANTIE VOUS CONFÈRE DES DROITS JURIDIQUES SPÉCIFIQUES ET VOUS POUVEZ ÉGALEMENT JOUIR D'AUTRES DROITS QUI PEUVENT VARIER D'UNE JURIDICTION À UNE AUTRE.

À l'extérieur du Canada et des 50 États des États-Unis, cette garantie ne s'applique pas. Contacter votre marchand Whirlpool autorisé pour déterminer si une autre garantie s'applique.

Si vous avez besoin de service, voir d'abord la section "Dépannage" du Guide d'utilisation et d'entretien. Après avoir vérifié la section "Dépannage", de l'aide supplémentaire peut être trouvée en vérifiant la section "Assistance ou service" ou en appelant Whirlpool. Aux É.-U., composer le **1-800-253-1301**. Au Canada, composer le **1-800-807-6777**. 8/05

Conservez ce manuel et votre reçu de vente ensemble pour référence ultérieure. Pour le service sous garantie, vous devez présenter un document prouvant la date d'achat ou d'installation.

Inscrivez les renseignements suivants au sujet de votre sècheuse pour mieux obtenir assistance ou service en cas de besoin. Vous devrez connaître le numéro de modèle et le numéro de série au complet. Cette information est donnée sur la plaque signalétique indiquant le numéro de modèle et le numéro de série, située dans le logement de la porte à l'intérieur de la sècheuse.

Nom du marchand _____

Adresse _____

Numéro de téléphone _____

Numéro de modèle _____

Numéro de série _____

Date d'achat _____

8578187

© 2005 Whirlpool Corporation.
All rights reserved.
Tous droits réservés.

® Registered Trademark/TM Trademark of Whirlpool, U.S.A., Whirlpool Canada Inc. Licensee in Canada
® Marque déposée/TM Marque de commerce de Whirlpool, U.S.A., Emploi licencié par Whirlpool Canada Inc. au Canada



9/05
Printed in U.S.A.
Imprimé aux É.-U.